



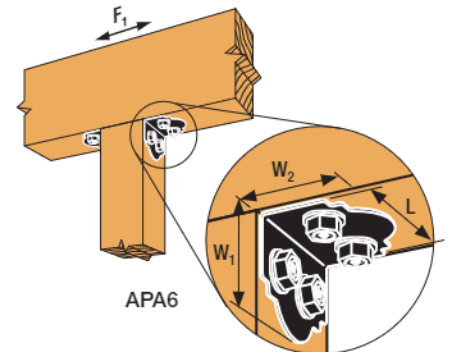
## Strengthen Connections with **Angles and Ties**

Outdoor Accents® angles tie together beams, rafters and more. These angles make structural connections between beams and posts stronger and provide consistent, strong corners for a variety of outdoor projects.

### Heavy Angles

Model No.	Ga.	Qty. Req. <sup>2</sup>	Dimensions (in.)			Fastener Qty. <sup>2,3</sup>		DF/SP Allowable Loads (lb.)	
			L	W <sub>1</sub>	W <sub>2</sub>	Post	Beam	Uplift (160)	F <sub>1</sub> (160)
APA4	12	2	3	3¼	3	2	2	710	1,220
APA6	12	2	5	3¾	3½	4	4	1,350	1,985

1. Uplift and lateral loads have been increased for earthquake or wind loading with no further increase allowed. Reduce where other loads govern.
2. Connector table loads and fastener quantities listed are for two parts. For single-part installations, use half the listed values.
3. All fasteners are Outdoor Accents SDWS22312DBB structural wood screws inserted through an STN22 hex-head washer. Fasteners sold separately.



### Light Rafter Tie

Model No.	Ga.	Dimensions (in.)			Fastener Qty.		DF/SP Allowable Loads (lb.)	
		L	W <sub>1</sub>	W <sub>2</sub>	Rafter	Beam	Uplift (160)	F <sub>1</sub> (160)
APA21	14	1⅞	2	1½	1	1	200	120

1. Uplift and lateral loads have been increased for earthquake or wind loading with no further increase allowed. Reduce where other loads govern.
2. Allowable loads are for a single part.
3. All fasteners are Outdoor Accents SD10112DBB connector screws. Fasteners sold separately.

