

AC/LPCZ/LCE4/RTC

Post Caps

The universal design of the LCE4 post cap provides high capacity while eliminating the need for rights and lefts. For use with 4x or 6x lumber. LPCZ — Adjustable design allows greater connection versatility.

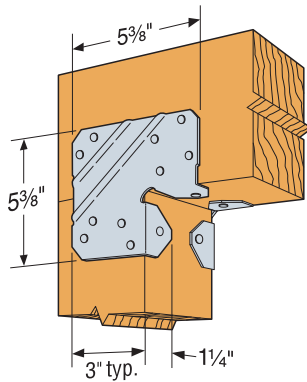
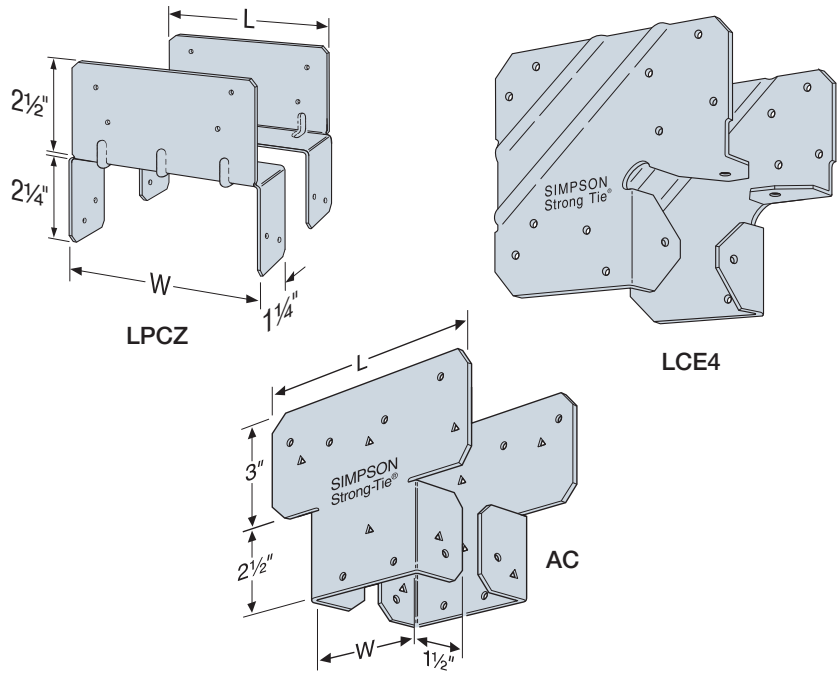
Material: LCE4 — 20 gauge;
AC, LPC4Z — 18 gauge;
LPC6Z — 16 gauge;
RTC — 14 gauge

Finish: Galvanized.
Some products available in ZMAX® coating and stainless steel. See Corrosion Information, pp. 12–15.

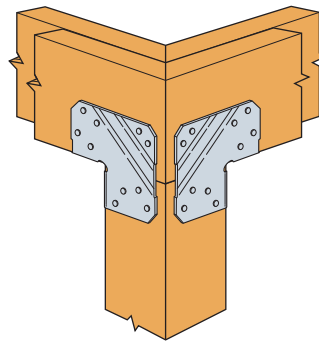
Installation:

- Use all specified fasteners; see General Notes
- Install all models in pairs, **except RTC**.
LPCZ — 2½" beams may be used if 0.148" x 1½" nails are substituted for 0.148" x 3" nails

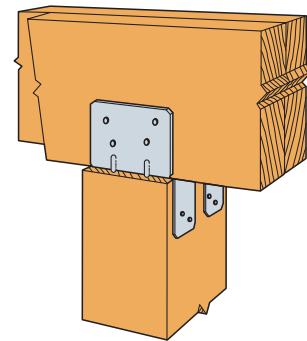
Codes: See p. 11 for Code Reference Key Chart



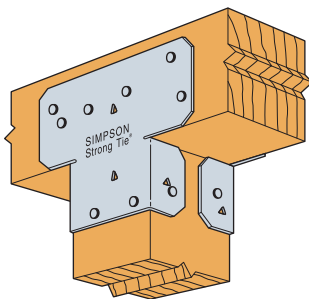
Typical LCE4 Installation
(for 4x or 6x lumber)



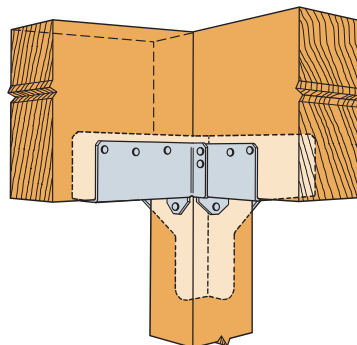
Typical LCE4 Corner Installation
(mitered corner)



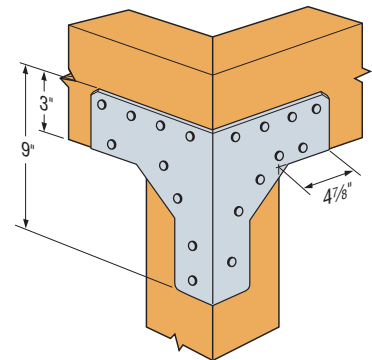
Typical LPC4Z Installation
(mitered corner)



Typical AC4 Installation



RTC44 Installation
(square cut)



RTC44 Installation
(mitered corner)

AC/LPCZ/LCE/RTC

Post Caps (cont.)

These products are available with additional corrosion protection. For more information, see p. 14.

SS For stainless-steel fasteners, see p. 21.

SD Many of these products are approved for installation with Strong-Drive® SD Connector screws. See pp. 348–352 for more information.

Model No.	Dimensions (in.)		Min. / Max.	Total No. Fasteners (in.)		Allowable Loads (DF/SP) (160)		Code Ref.
	W	L		Beam	Post	Uplift	Lateral	
SS AC4	3 $\frac{3}{8}$	6 $\frac{1}{2}$	Min.	(8) 0.162 x 3 $\frac{1}{2}$	(8) 0.162 x 3 $\frac{1}{2}$	1,745	1,610	IBC, FL, LA
	3 $\frac{3}{8}$	6 $\frac{1}{2}$	Max.	(14) 0.162 x 3 $\frac{1}{2}$	(14) 0.162 x 3 $\frac{1}{2}$	2,490	1,610	
AC4RZ	4	7	Min.	(8) 0.162 x 3 $\frac{1}{2}$	(8) 0.162 x 3 $\frac{1}{2}$	1,745	1,610	
	4	7	Max.	(14) 0.162 x 3 $\frac{1}{2}$	(14) 0.162 x 3 $\frac{1}{2}$	2,490	2,075	
SS LCE4	—	5 $\frac{3}{8}$	—	(14) 0.162 x 3 $\frac{1}{2}$	(10) 0.162 x 3 $\frac{1}{2}$	1,950	1,350	
SS AC6	5 $\frac{1}{2}$	8 $\frac{1}{2}$	Min.	(8) 0.162 x 3 $\frac{1}{2}$	(8) 0.162 x 3 $\frac{1}{2}$	1,665	1,565	
	5 $\frac{1}{2}$	8 $\frac{1}{2}$	Max.	(14) 0.162 x 3 $\frac{1}{2}$	(14) 0.162 x 3 $\frac{1}{2}$	2,815	2,075	
AC6RZ	6	9	Min.	(8) 0.162 x 3 $\frac{1}{2}$	(8) 0.162 x 3 $\frac{1}{2}$	1,665	1,565	
	6	9	Max.	(14) 0.162 x 3 $\frac{1}{2}$	(14) 0.162 x 3 $\frac{1}{2}$	3,055	2,450	
LPC4Z	3 $\frac{3}{8}$	3 $\frac{1}{2}$	—	(8) 0.148 x 3	(8) 0.148 x 3	755	760	
LPC6Z	5 $\frac{1}{8}$	5 $\frac{1}{2}$	—	(8) 0.148 x 3	(8) 0.148 x 3	920	885	

- Allowable loads have been increased for wind or earthquake loading with no further increase allowed. Reduce where other loads govern.
- Connector table loads and fastener quantities are listed for two parts.
- Lateral load is in the direction parallel to the beam.
- For minimum nailing quantity and load values, fill all round holes; for maximum nailing quantity and load values, fill all round and triangular holes.
- Uplift loads do not apply to spliced conditions. Spliced conditions must be detailed by the designer to transfer tension loads between spliced members by means other than the post cap.
- Structural composite lumber columns have sides that show either the wide face or the edges of the lumber strands/veneers known as the narrow face. Values in the tables reflect installation into the wide face. See technical bulletin T-C-SCLCLM at strongtie.com for load reductions resulting from narrow-face installations.
- Fasteners:** Nail dimensions are listed diameter by length. See pp. 21–22 for fastener information.

Model No.	Dimensions (in.)		Total No. of Fasteners (in.)		DF/SP Uplift Loads (160)			SPF Uplift Loads (160)		
	W	L	Beam	Post	Side Beam	Main Beam	Post	Side Beam	Main Beam	Post
SD RTC44 ¹ (Mitered corner)	3 $\frac{3}{8}$	4 $\frac{3}{4}$	(16) 0.162 x 3 $\frac{1}{2}$	(10) 0.162 x 3 $\frac{1}{2}$	900	900	1,800	775	775	1,550
SD RTC44 ² (Square cut)	3 $\frac{3}{8}$	4 $\frac{3}{4}$	(16) 0.162 x 3 $\frac{1}{2}$	(10) 0.162 x 3 $\frac{1}{2}$	925	1,230	1,760	795	1,060	1,515
SS LCE4Z ¹ (Mitered corner)	5 $\frac{3}{8}$	5 $\frac{3}{8}$	(14) 0.162 x 3 $\frac{1}{2}$	(10) 0.162 x 3 $\frac{1}{2}$	—	—	885	—	—	760

- The allowable download for the mitered RTC44 and LCE4Z connection is limited to the bearing of the mitered beams on the post and shall be determined by the designer.
- The allowable download for the main beam in the square-cut RTC44 connection is limited to the bearing of the beam on the post and shall be determined by the designer. The side beam allowable download is 1,170 lb.
- The combined uplift loads applied to all the beams must not exceed the post allowable uplift load listed in the table.
- Connectors must be installed in pairs to achieve listed loads.
- Fasteners:** Nail dimensions are listed diameter by length. See pp. 21–22 for fastener information.