

Avant Collection™ Angles / Ties / Post Connections



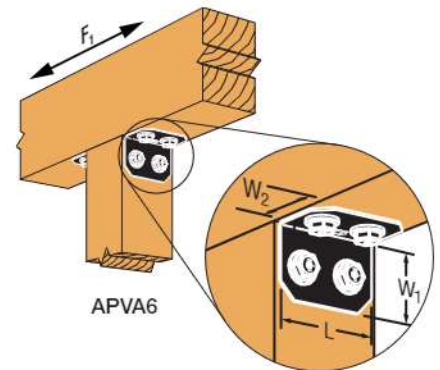
Strengthen Connections with **Angles and Ties**

Outdoor Accents® angles tie together beams, rafters and more. These angles make structural connections between beams and posts stronger and provide consistent, strong corners for a variety of outdoor projects.

Heavy Angles

Model No.	Ga.	Dimensions (in.)			Fastener Qty.		DF/SP Allowable Loads (lb.)	
		L	W ₁	W ₂	Post	Beam	Uplift (160)	F ₁ (160)
APVA4	12	3	3¼	3	2	2	710	1,220
APVA6	12	5	3¼	3	4	4	1,350	1,985

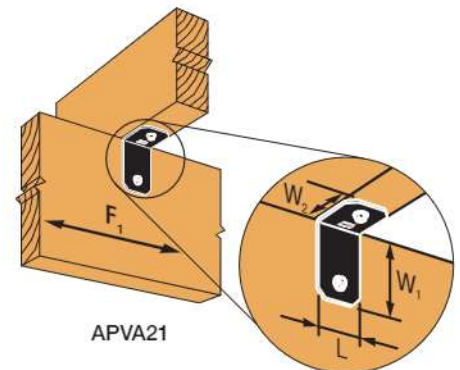
1. Allowable loads have been increased for wind or earthquake loading with no further increase allowed. Reduce where other loads govern.
2. Connector table loads and fastener quantities are listed for two parts. For single part installations, use half the listed values.
3. All fasteners are Outdoor Accents SDWS22312DBB structural wood screws inserted through an STN22 hex-head washer. Fasteners sold separately.



Light Rafter Tie

Model No.	Ga.	Dimensions (in.)			Fastener Qty.		DF/SP Allowable Loads (lb.)	
		L	W ₁	W ₂	Rafter	Beam	Uplift (160)	F ₁ (160)
APVA21	14	1¾	2	1½	1	1	200	120

1. Allowable loads have been increased for wind or earthquake loading with no further increase allowed. Reduce where other loads govern.
2. Allowable loads are for a single part.
3. All fasteners are Outdoor Accents SD10112DBB connector screws. Fasteners sold separately.



Avant Collection™ Joist Connections



Secure Joists with Ties

The deck joist tie attaches 2x joists to the side of 4x or larger support posts. It installs quickly and easily with the Outdoor Accents® structural wood screw and hex-head washer for the look of a bolted connection.



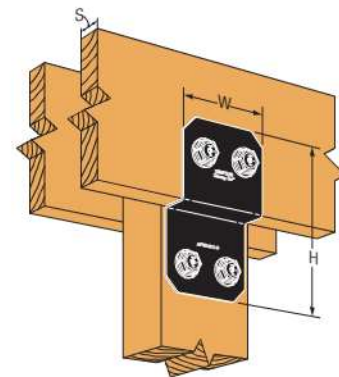
Accent Connections with Decorative Washers

The Avant Collection decorative washer installs easily with the structural wood screw and hex-head washer combination and can be used in a variety of wood-to-wood connections.

Deck Joist Tie

Model No.	Ga.	Dimensions (in.)			Fastener Qty. and Length		DF/SP Allowable Downloads (lb.)	
		S	W	H	Post	Joist	Floor (100)	Roof (125)
APVDJT2-4	12	1½	3	10	(2) 3½"	(2) 5½"	1,870	2,340
APVDJT1.75-4	12	1¾	3	9¾				
APVDJT2R-4	12	2	3	9½				
APVDJT2-6	12	1½	5	8½	(2) 3½"	(2) 5½"	1,870	2,340
APVDJT1.75-6	12	1¾	5	8¼				
APVDJT2R-6	12	2	5	8				

1. Roof loads are 125% of floor loads unless limited by other criteria. Floor loads may be adjusted for load durations according to the code, provided they do not exceed those in the roof column.
2. Loads are per part. APVDJT1.75 model loads for Western Red Cedar are 1,430 lb. floor (100) and 1,790 lb. roof (125).
3. Joist fasteners are Outdoor Accents SDWS22512DBB structural wood screws inserted through an STN22 hex-head washer. Post fasteners are Outdoor Accents SDWS22312DBB structural wood screws inserted through an STN22 hex-head washer. Fasteners sold separately.

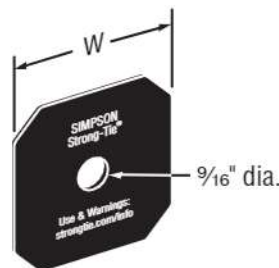


APVDJT2-6

Decorative Washer

Model No.	Ga.	Hole Dia. (in.)	W (in.)
APVDW56	12	9/16	3

1. Fastener is an Outdoor Accents SDWS22312DBB structural wood screw inserted through an STN22 hex-head washer.



APVDW56