



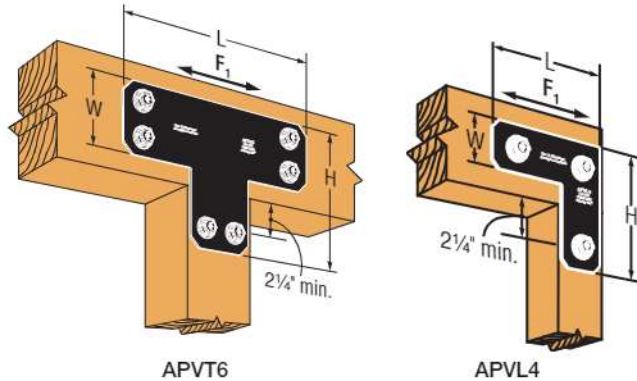
## Connect Beam to Post with **Strap Ties**

The Avant Collection flat T and L strap ties add contemporary flair and structural strength to your outdoor living space or even an indoor project. They provide reinforcement for connections where one lumber piece intersects another at a 90° angle. They're designed to accommodate multiple lumber sizes and must be installed with Outdoor Accents® structural wood screws and hex-head washers.

### Beam-to-Column Ties and Flat Straps

| Model No. | Ga. | Dimensions (in.) |     |     | Fastener Qty. |      | DF/SP Allowable Loads (lb.) |                      |
|-----------|-----|------------------|-----|-----|---------------|------|-----------------------------|----------------------|
|           |     | W                | L   | H   | Post          | Beam | Uplift (160)                | F <sub>1</sub> (160) |
| APVL4     | 12  | 3                | 8¼  | 8¼  | 2             | 4    | 1,155                       | 670                  |
| APVL6     | 12  | 5                | 10½ | 10½ | 4             | 6    | 1,905                       | 1,340                |
| APVT4     | 12  | 3                | 13½ | 8¼  | 2             | 4    | 1,330                       | 1,015                |
| APVT6     | 12  | 5                | 16  | 10½ | 4             | 8    | 2,130                       | 1,425                |

1. Allowable loads have been increased for wind or earthquake loading with no further increase allowed. Reduce where other loads govern.
2. Connector table loads and fastener quantities are listed for two parts. For single part installations, use half the listed values.
3. All fasteners are Outdoor Accents SDWS22312DBB structural wood screws inserted through an STN22 hex-head washer. Fasteners sold separately.



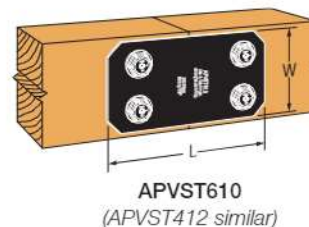
## Join Beams with **Flat Straps**

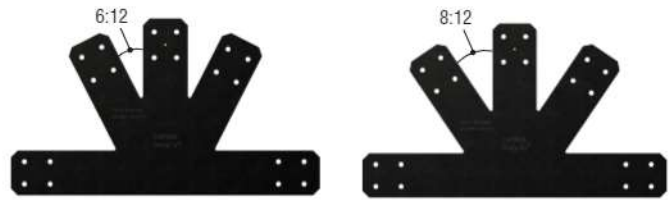
The Avant Collection flat straps work for lumber in both nominal and rough sizes. They can be used to connect two beams together or added to any project as a decorative accent.

### Flat Straps

| Model No. | Ga. | Dimensions (in.) |     | Fastener Qty. | DF/SP Allowable Tension Load (160) |
|-----------|-----|------------------|-----|---------------|------------------------------------|
|           |     | W                | L   |               |                                    |
| APVST412  | 12  | 3                | 11¼ | 8             | 850                                |
| APVST610  | 12  | 5                | 9¾  | 8             | 1,505                              |

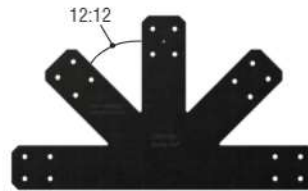
1. Allowable loads have been increased for wind or seismic loads with no further increase allowed.
2. Connector table loads and fastener quantities are listed for two parts. For single part installations, use half the listed values.
3. All fasteners are Outdoor Accents SDWS22312DBB structural wood screws inserted through an STN22 hex-head washer. Fasteners sold separately.





APVGP612

APVGP812



APVGP1212

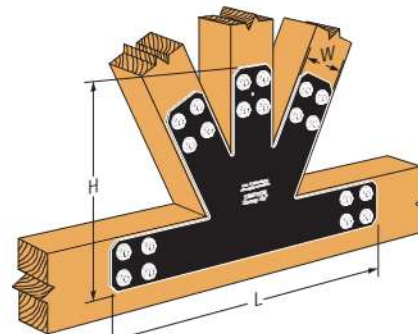
## Add Style with Gable Plates

The Avant Collection gable plates add a contemporary flair and additional strength to any outdoor living space. They provide reinforcement for a connection from a wood beam to three angled wood braces. Three sizes are available: with the angled braces at 6:12 pitch (27°), 8:12 pitch (34°) and 12:12 pitch (45°). Gable plates are installed with Outdoor Accents® structural wood screws and hex-head washers.

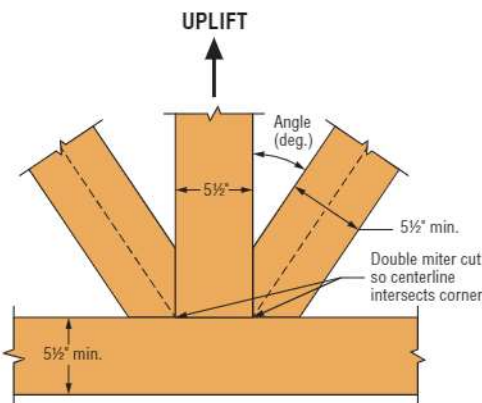
### Gable Plates

| Model No. | Ga. | Roof Pitch | Angle (deg.) | Dimensions (in.) |     |     | Fastener Qty. |               |               | DF/SP Allowable Loads (lb.) |
|-----------|-----|------------|--------------|------------------|-----|-----|---------------|---------------|---------------|-----------------------------|
|           |     |            |              | W                | H   | L   | Beam          | Center Column | Angled Struts |                             |
| APVGP612  | 12  | 6:12       | 27°          | 5                | 19¾ | 34½ | 16            | 8             | 16            | 3,925                       |
| APVGP812  |     | 8:12       | 34°          |                  |     |     |               |               |               |                             |
| APVGP1212 |     | 12:12      | 45°          |                  |     |     |               |               |               |                             |

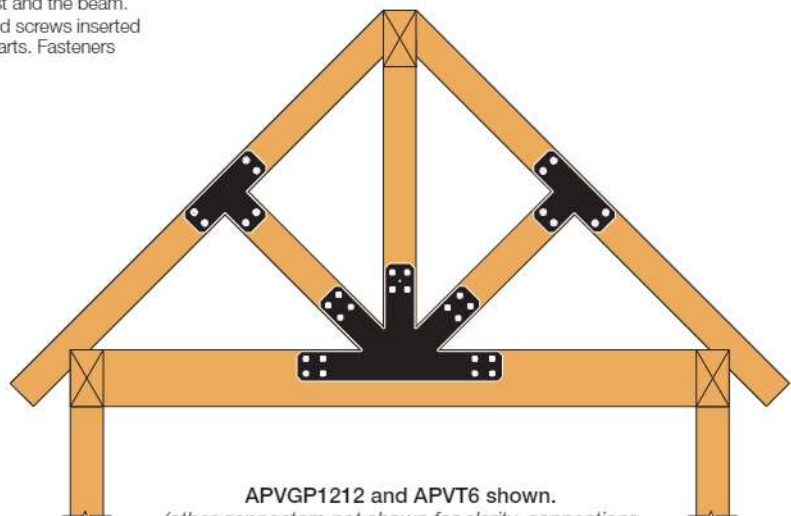
1. Allowable loads have been increased for wind or earthquake loading with no further increase allowed. Reduce where other loads govern.
2. Connector table loads and fastener quantities are listed for two parts. For single part installations, use half the listed values.
3. Uplift loads apply to the connection between the center vertical post and the beam.
4. All fasteners are Outdoor Accents SDWS22312DBB structural wood screws inserted through an STN22 hex-head washer. Quantities listed are for two parts. Fasteners sold separately.



APVGP612



**Note:** 12:12 will have equal cuts. Other sizes will have unequal cuts.



APVGP1212 and APVT6 shown.  
(other connectors not shown for clarity, connections and roof pitch designed by others.)