

CB

Column Base

Material: Strap: CB4x, CB5x, CB6x — 7 gauge; CB7x and larger — 3 gauge. Base: CB4x through CB9x — 7 gauge; CB10x — 3 gauge

Finish: CB44, CB46, CB48, CB66, CB68, CB610 — galvanized; all other CB — Simpson Strong-Tie gray paint or HDG. Some products available in HDG, stainless steel or black powder coat. (Note: When ordering powder coat, model number is CBxxPC)

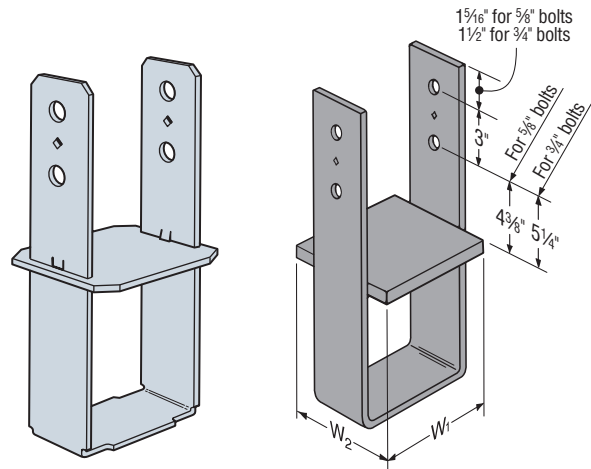
Installation:

- Use all specified fasteners; see General Notes
- For full loads, minimum side cover required is 3" for CB
- Install all models with bottom of base plate flush with concrete
- Post bases do not provide adequate resistance to prevent members from rotating about the base and therefore are not recommended for non-top-supported installations (such as fences or unbraced carports)

Options:

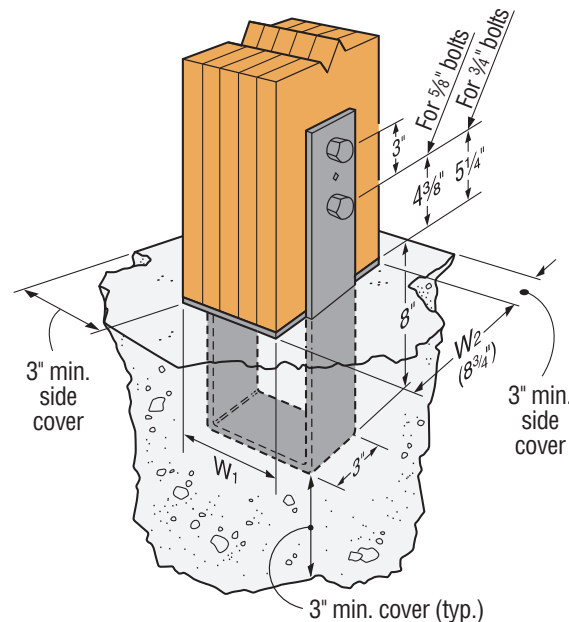
- CB is available in rough sizes. Other sizes available for CB; specify W₁ and W₂ dimensions. Consult Simpson Strong-Tie for bolt sizes and allowable loads.

Codes: See p. 11 for Code Reference Key Chart



CB44
(CB46, CB48, CB64, CB66, CB68, CB86, CB88, CB610 similar)
(Standard finish – G90)

Configuration of all other CB sizes
(Standard finish – gray paint)



CB9
(CB5, CB7 similar)
for Glulam Column

Column Base (cont.)

These products are available with additional corrosion protection. For more information, see p. 14.

For stainless-steel fasteners, see p. 21.

	Model No.	Nominal Column Size	Dimensions (in.)		Column Fasteners		Allowable Uplift Loads DF/SP/SPF/HF (160)				Download (100)	Code Ref.
			W ₁	W ₂	Bolts		Wind and SDC A&B		SDC C-F			
					Qty.	Dia. (in.)	Uncracked	Cracked	Uncracked	Cracked		
SS	CB44	4x4	3 ³ / ₁₆	3 ³ / ₁₆	2	5/8	6,110	4,510	5,640	3,945	19,020	IBC, FL, LA
SS	CB46	4x6	3 ³ / ₁₆	5 ¹ / ₂	2	5/8	6,110	4,510	5,640	3,945	28,585	
	CB48	4x8	3 ³ / ₁₆	7 ¹ / ₂	2	5/8	6,110	4,510	5,640	3,945	35,970	
	CB5-4.5	Glulam	4 ¹ / ₂	5 ¹ / ₈	2	5/8	6,110	4,510	5,640	3,945	38,055	—
	CB5-6	Glulam	6	5 ¹ / ₈	2	5/8	6,110	4,510	5,640	3,945	50,740	
	CB64	6x4	5 ¹ / ₂	3 ³ / ₁₆	2	5/8	6,110	4,510	5,640	3,945	28,585	
SS	CB66	6x6	5 ¹ / ₂	5 ¹ / ₂	2	5/8	6,110	4,510	5,640	3,945	30,250	IBC, FL, LA
	CB6-7	6x	5 ¹ / ₂	7	2	5/8	6,110	4,510	5,640	3,945	38,500	—
	CB68	6x8	5 ¹ / ₂	7 ¹ / ₂	2	5/8	6,110	4,510	5,640	3,945	41,250	IBC, FL, LA
	CB610	6x10	5 ¹ / ₂	9 ¹ / ₂	2	5/8	6,445	4,510	5,640	3,945	52,250	—
	CB612	6x12	5 ¹ / ₂	11 ¹ / ₂	2	5/8	6,445	4,510	5,640	3,945	63,250	
	CB7 1/8-4	PSL	7 ¹ / ₈	3 ¹ / ₂	2	3/4	6,445	4,510	5,640	3,945	41,145	
	CB7 1/8-6	PSL	7 ¹ / ₈	5 ¹ / ₂	2	3/4	6,445	4,510	5,640	3,945	64,660	
	CB7 1/8-7	PSL	7 ¹ / ₈	7	2	3/4	6,445	4,510	5,640	3,945	78,410	
	CB7-6	Glulam	6	6 ³ / ₄	2	3/4	6,445	4,510	5,640	3,945	66,825	
	CB7-7.5	Glulam	7 ¹ / ₂	6 ³ / ₄	2	3/4	6,445	4,510	5,640	3,945	79,345	
	CB7-9	Glulam	9	6 ³ / ₄	2	3/4	6,445	4,510	5,640	3,945	91,620	
	CB7-10.5	Glulam	10 ¹ / ₂	6 ³ / ₄	2	3/4	6,445	4,510	5,640	3,945	103,790	
	CB86	8x6	7 ¹ / ₂	5 ¹ / ₂	2	3/4	6,110	4,510	5,640	3,945	41,250	
	CB88	8x8	7 ¹ / ₂	7 ¹ / ₂	2	3/4	6,445	4,510	5,640	3,945	56,250	
	CB810	8x10	7 ¹ / ₂	9 ¹ / ₂	2	3/4	6,445	4,510	5,640	3,945	71,250	
	CB812	8x12	7 ¹ / ₂	11 ¹ / ₂	2	3/4	6,445	4,510	5,640	3,945	86,250	
	CB9-6	Glulam	6	8 ³ / ₄	2	3/4	6,445	4,510	5,640	3,945	81,940	
	CB9-7.5	Glulam	7 ¹ / ₂	8 ³ / ₄	2	3/4	6,445	4,510	5,640	3,945	97,165	
	CB9-9	Glulam	9	8 ³ / ₄	2	3/4	6,445	4,510	5,640	3,945	112,200	
	CB9-10.5	Glulam	10 ¹ / ₂	8 ³ / ₄	2	3/4	6,445	4,510	5,640	3,945	127,105	
	CB1010	10x10	9 ¹ / ₂	9 ¹ / ₂	2	3/4	6,445	4,510	5,640	3,945	90,250	
	CB1012	10x12	9 ¹ / ₂	11 ¹ / ₂	2	3/4	6,445	4,510	5,640	3,945	109,250	
	CB1212	12x12	11 ¹ / ₂	11 ¹ / ₂	2	3/4	6,445	4,510	5,640	3,945	132,250	

1. Uplift loads may not be increased for duration of load.

2. Concrete shall have a minimum compressive strength of $f'_c = 2,500$ psi.

3. Multiply Seismic and Wind ASD uplift and lateral load values by 1.43 or 1.67, respectively, to obtain LRFD capacities.

4. In accordance with IBC, Section 1613.1, detached one- and two-family dwellings in Seismic Design Category (SDC) C may use "Wind and SDC A&B" allowable loads.

5. Downloads shall be reduced where limited by capacity of the post.

6. Designer is responsible for concrete design.

7. All references to bolts are for structural quality through bolts (not lag screws or carriage bolts) equal to or better than ASTM A307, Grade A.

8. Tabulated allowable download is based on capacity determined from following compression-parallel-to-grain stress ($F_{c||}$) for wood post: 1,650 psi for glulam, 1,350 psi for 4"-wide sawn lumber, and 1,000 psi for 5"-wide or wider sawn lumber, as applicable.