

**CTS™**

# Compression and Tension Strap

The CTS218 is designed to repair wood members such as top plates, studs and trusses, and it handles both tension and compression loads. The unique rolled edges of the strap allow it to span gaps as wide as 4½", and its 1½" width enables installation on the narrow face of 2x lumber.

- Tested specifically for top/bottom plate repair with various multi-strap configurations
- Meets the requirements of the IBC® and IRC® for repairing top plates that have been cut or notched to accommodate plumbing or HVAC ductwork

**Material:** 14 gauge

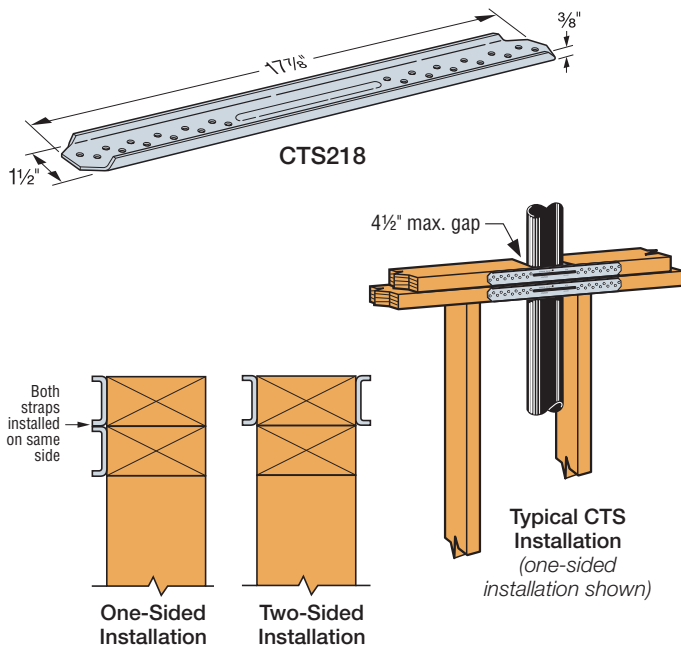
**Finish:** Galvanized

**Installation:**

- Use all specified fasteners; see General Notes.
- One-sided installations — install one or two CTS straps on the same side of the member.
- Two-sided installation — install CTS straps on opposite sides of member. For three-part installations, install two parts on one side, one part on opposite side.

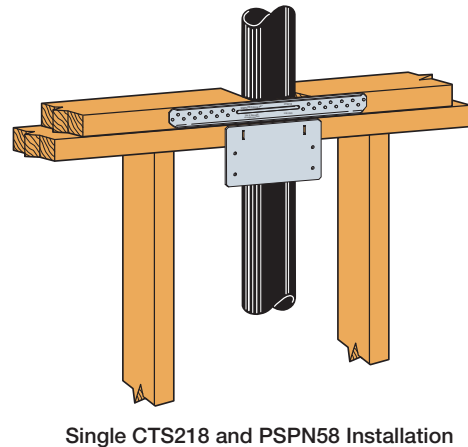
**Codes:** See p. 13 for Code Reference Key Chart

- IBC – 2012 2308.9.8; 2015/2018/2021 2308.5.8

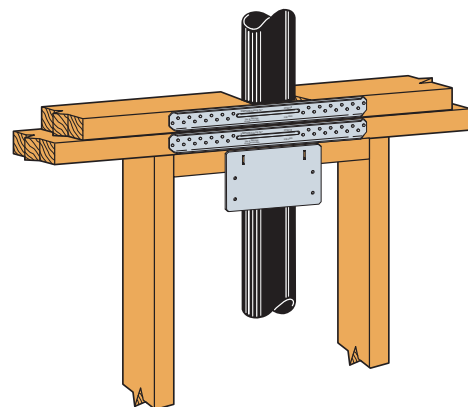


**SD** Many of these products are approved for installation with Strong-Drive® SD Connector screws. See pp. 362–366 for more information.

Model No.	Strap Qty.	Installation	Fasteners (Per Strap) (in.)	DF/SP Allowable Loads		SPF/HF Allowable Loads		Code Ref.
				Compression (160)	Tension (160)	Compression (160)	Tension (160)	
CTS218	1	One sided	(24) 0.148 x 1 1/2"	1,125	2,270	970	1,970	IBC, FL, LA
	2	One sided		2,250	4,535	1,935	3,900	
	2	Two sided		2,515	4,535	2,165	3,900	
	3	Two sided		3,310	6,805	2,845	5,850	
	4	Two sided	5,035	9,070	4,330	7,800		
	1	One sided	(24) #9 x 1 1/2" SD	1,175	2,510	1,010	2,160	
	2	One sided		2,350	5,020	2,020	4,315	
	2	Two sided		2,735	5,020	2,350	4,315	
3	Two sided	4,130		7,530	3,550	6,475		
4	Two sided	5,470	10,040	4,700	8,635			



Single CTS218 and PSPN58 Installation



Double CTS218 and PSPN58 Installation

1. Allowable loads have been increased for wind or earthquake loading with no further increase allowed. Reduce where other loads govern.
2. Fastener quantities are for a single strap.
3. Maximum gap between wood members is 4½".
4. **Fasteners:** Nail dimensions are listed diameter by length. SD screws are Simpson Strong-Tie Strong-Drive SD Connector screws. See pp. 23–24 for fastener information.