

HCP

Hip Corner Plate

For complementary ridge connection, see pp. 166–167.

The HCP connects a rafter or joist to double top plates at a 45° angle.

Material: 18 gauge

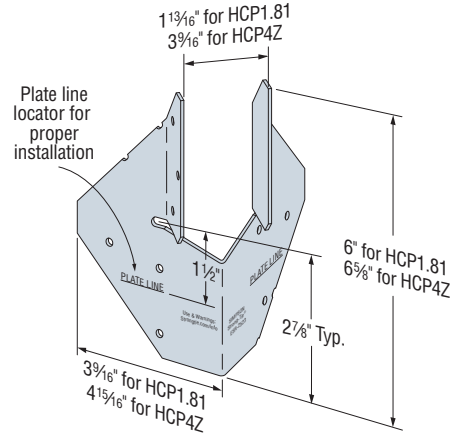
Finish: Galvanized

Installation:

- Use all specified fasteners; see General Notes.
- Attach HCP to double top plates.
- Birdsmouth not required for table uplift loads but may be required for download.
- Install rafter and complete nailing. Rafter may be sloped to 45°.

Codes: See p. 13 for Code Reference Key Chart

Web Applications: Visit app.strongtie.com/rws to access our Roof-to-Wall Selector web application.



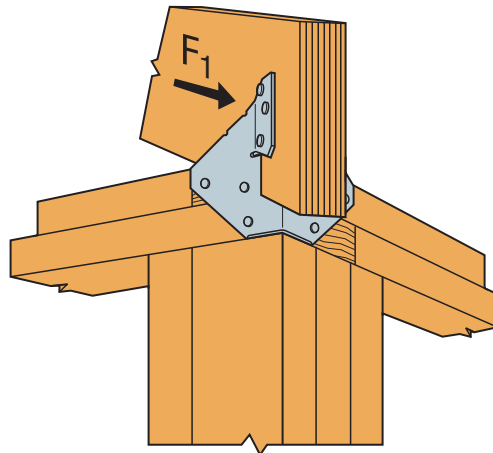
HCP1.81
(HCP4Z similar)

I-Joist, Glulam and Structural Composite Lumber Connectors

These products are available with additional corrosion protection. For more information, see p. 16.

Member Size (in.)	Model No.	Fasteners		DF/SP Allowable Loads		SPF/HF Allowable Loads		Code Ref.
		To Rafters	To Plates	(160)		(160)		
				Uplift	F ₁	Uplift	F ₁	
1 3/4	HCP1.81	(6) 0.148 x 1 1/2	(6) 0.148 x 1 1/2	590	255	510	220	IBC®, FL, LA
3 1/2	HCP4Z	(8) 0.148 x 3	(8) 0.148 x 3	990	230	850	200	

1. Loads have been increased for wind or earthquake loading, with no further increase allowed. Reduce where other loads govern.
2. The HCP can be installed on the inside and the outside of the wall with a flat bottom chord truss and achieve twice the load capacity.
3. **Fasteners:** Nail dimensions are listed diameter by length. See pp. 23–24 for fastener information.



Typical HCP Installation