

HH

Header Hanger

For fast, accurate installation of door and window headers and other cross members. HH header hangers can speed up the job, strengthen the frame, and eliminate the need for trimmers.

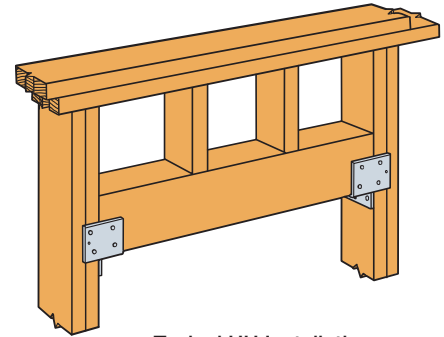
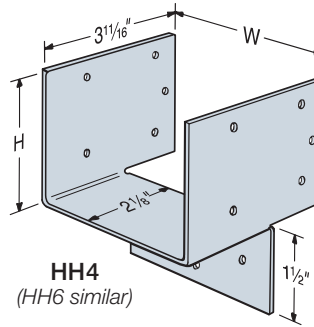
Material: 16 gauge

Finish: Galvanized

Installation:

- Use all specified fasteners; see General Notes
- Attachment to 2x studs will result in two round holes not being filled in the studs and load reductions as noted in table

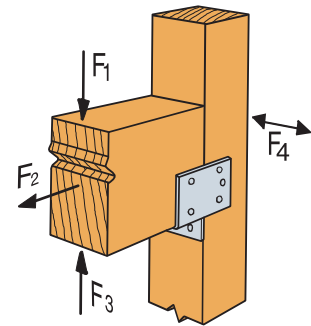
Codes: See p. 13 for Code Reference Key Chart



Solid Sawn Joist Hangers

Model No.	Dimensions (in.)		Min. Post Size	Fasteners (in.)		DF/SP Allowable Loads					Code Ref.	
				Stud	Header	F ₁			F ₂	F ₃		F ₄
	W	H				(100)	(115)	(125)				
HH4	3 1/2	2 13/16	2x	(7) 0.148 x 1 1/2	(4) 0.148 x 1 1/2	850	965	1,035	—	540	625	IBC®, FL, LA
			Double 2x	(7) 0.162 x 2 1/2	(4) 0.162 x 2 1/2	1,005	1,140	1,230	—	720	965	
			3x	(9) 0.162 x 3 1/2	(4) 0.162 x 3 1/2	1,295	1,470	1,585	675	720	965	
HH6	5 1/2	5 1/8	2x	(10) 0.148 x 1 1/2	(6) 0.148 x 1 1/2	1,215	1,375	1,480	—	1,085	970	
			Double 2x	(10) 0.162 x 2 1/2	(6) 0.162 x 2 1/2	1,440	1,630	1,760	—	1,045	1,605	
			3x	(12) 0.162 x 3 1/2	(6) 0.162 x 3 1/2	1,725	1,955	2,110	980	1,045	1,605	

1. Loads have been increased for wind or earthquake loading, with no further increase allowed. Reduce where other loads govern.
2. For 3x posts, 0.162" x 2 1/2" nails may be substituted with no reduction in load.
3. For SPF/HF lumber, use 0.86 x DF/SP allowable loads.
4. **Fasteners:** Nail dimensions are listed diameter by length. See pp. 23–24 for fastener information.



RR

Ridge Rafter Connector

An interlock provides alignment control and correct nailing locations. For a rafter-to-face connector, flatten the top flange into the face plane. The RR may be used with rafters sloped up to 30°.

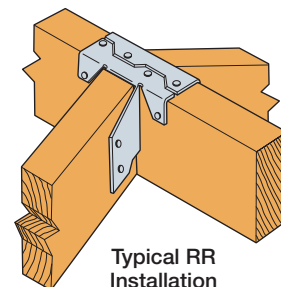
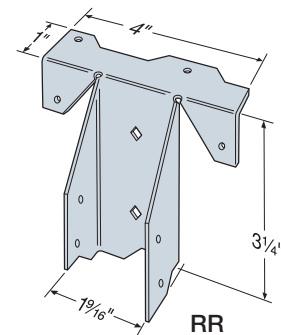
Material: 18 gauge

Finish: Galvanized

Installation:

- Use all specified fasteners; see General Notes

Codes: See p. 13 for Code Reference Key Chart



SD Many of these products are approved for installation with Strong-Drive® SD Connector screws. See pp. 362–366 for more information.

Model No.	Min. Rafter Size	Fasteners (in.)		Uplift (160)	DF/SP Allowable Loads ¹		Code Ref.
		Header	Rafter		Floor (100)	Roof (125)	
RR	2x6	(4) 0.148 x 1 1/2	(4) 0.148 x 1 1/2	130	330	330	IBC, FL, LA

1. Roof loads are 125% of floor loads unless limited by other criteria. Floor loads may be adjusted for load durations according to the code provided they do not exceed those in the roof column.
2. **Fasteners:** Nail dimensions are listed diameter by length. See pp. 23–24 for fastener information.