

Product Information Table

Model No.	Description	Ga.	W1 (in.)	W2 (in.)	L (in.)	Coating/Material	Packaging Qty.
HL33PC	Angle	7	3 1/4	3 1/4	2 1/2	Powder Coating, Black	1
HL35GPC	Angle w/ gusset	7	3 1/4	3 1/4	5	Powder Coating, Black	1
HL35PC	Angle	7	3 1/4	3 1/4	5	Powder Coating, Black	1
HL37GPC	Angle w/ gusset	7	3 1/4	3 1/4	7 1/2	Powder Coating, Black	1
HL37PC	Angle	7	3 1/4	3 1/4	7 1/2	Powder Coating, Black	1
HL43PC	Angle	3	4 1/4	4 1/4	3	Powder Coating, Black	1
HL46GPC	Angle w/ gusset	3	4 1/4	4 1/4	6	Powder Coating, Black	1
HL46PC	Angle	3	4 1/4	4 1/4	6	Powder Coating, Black	1
HL49PC	Angle	3	4 1/4	4 1/4	9	Powder Coating, Black	1
HL53PC	Angle	7	5 3/4	5 3/4	2 1/2	Powder Coating, Black	1
HL55GPC	Angle w/ gusset	7	5 3/4	5 3/4	5	Powder Coating, Black	1
HL55PC	Angle	7	5 3/4	5 3/4	5	Powder Coating, Black	1
HL57GPC	Angle w/ gusset	7	5 3/4	5 3/4	7 1/2	Powder Coating, Black	1
HL57PC	Angle	7	5 3/4	5 3/4	7 1/2	Powder Coating, Black	1
HL73PC	Angle	3	7 1/4	7 1/4	3	Powder Coating, Black	1
HL76GPC	Angle w/ gusset	3	7 1/4	7 1/4	6	Powder Coating, Black	1
HL76PC	Angle	3	7 1/4	7 1/4	6	Powder Coating, Black	1
HL79GPC	Angle w/ gusset	3	7 1/4	7 1/4	9	Powder Coating, Black	1
HL79PC	Angle	3	7 1/4	7 1/4	9	Powder Coating, Black	1

Load Tables

Model No.	Ga.	Dimensions (in.)						Bolts (Total)		DF/SP Allowable Loads	
		W ₁ and W ₂	L	D ₁	D ₂	D ₃	D ₄	Qty.	Dia.	Uplift (160)	F ₁ (160)
Single Row Angles											
HL33PC	7	3 1/4	2 1/2	1 1/4	—	2	—	2	1/2	740	1,040
HL35PC	7	3 1/4	5	1 1/4	2 1/2	2	—	4	1/2	740	1,310
HL37PC	7	3 1/4	7 1/2	1 1/4	2 1/2	2	—	6	1/2	740	1,310
HL43PC	3	4 1/4	3	1 1/2	—	2 3/4	—	2	3/4	1,275	1,445
HL46PC	3	4 1/4	6	1 1/2	3	2 3/4	—	4	3/4	1,275	1,680
HL49PC	3	4 1/4	9	1 1/2	3	2 3/4	—	6	3/4	1,275	1,680
Double Row Angles											
HL53PC	7	5 3/4	2 1/2	1 1/4	—	2	2 1/2	4	1/2	740	1,310
HL55PC	7	5 3/4	5	1 1/4	2 1/2	2	2 1/2	8	1/2	740	1,310
HL57PC	7	5 3/4	7 1/2	1 1/4	2 1/2	2	2 1/2	12	1/2	740	1,310
HL73PC	3	7 1/4	3	1 1/2	—	2 3/4	3	4	3/4	2,445	2,885
HL76PC	3	7 1/4	6	1 1/2	3	2 3/4	3	8	3/4	2,445	4,310
HL79PC	3	7 1/4	9	1 1/2	3	2 3/4	3	12	3/4	2,445	4,310

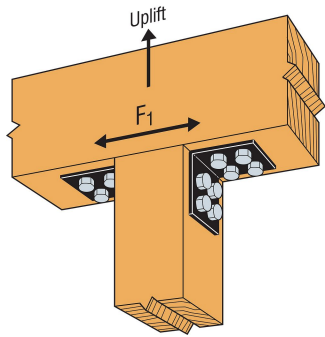
1. See [Straps and Ties General Notes](#).

2. For SPF/HF lumber, use 0.85 x DF/SP allowable loads.

3. Parts should be centered on the face of the member, which is at least as wide as the angle, to which they are attached.

4. Wood members for the "3" and "5" series must have a minimum width and thickness of 3 1/2" for table loads to apply.

5. Wood members for the "4" and "7" series must have a minimum width and thickness of 5 1/8" for table loads to apply.
6. Allowable loads are for a single connector. Uplift loads may be doubled when using two connectors. Connectors are required on both sides to achieve lateral loads in both directions. Lateral loads may not be doubled.
7. Lag screws of equal diameter (minimum 5" long) may be substituted for bolts in the beam with no reduction in load.



Typical HL55PC Installation