

HSLQ™

Heavy Shear Transfer Angle

The HSLQ heavy shear transfer angle is designed to transfer lateral loads from wood solid sawn joists or blocking into a wood solid sawn element such as a moment frame nailer. The angle offers versatility by allowing up to a 2" gap between the structural members and easy installation with Strong-Drive® SDS Heavy-Duty Connector screws that are included with the HSLQ. The HSLQ is manufactured with a gap indication notch to make proper installation easy.

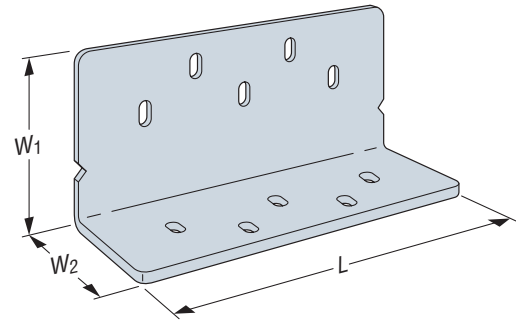
Material: 12 gauge

Finish: Galvanized, available in HDG

Installation:

- Use all specified fasteners: see General Notes.
- Use long leg with notch indicator.
(Notch indicates maximum allowed gap.)
- Minimum 4x8 wood members are required.
- Add filler shims where required in order not to load the angle in any direction other than lateral, as indicated.

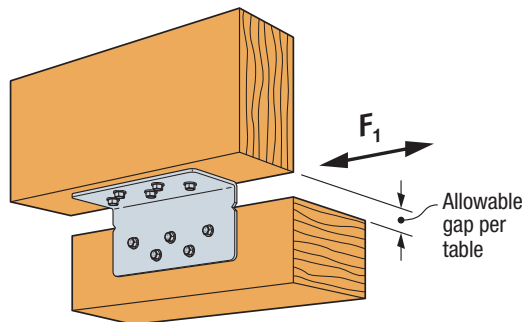
Codes: See p. 13 for Code Reference Key Chart



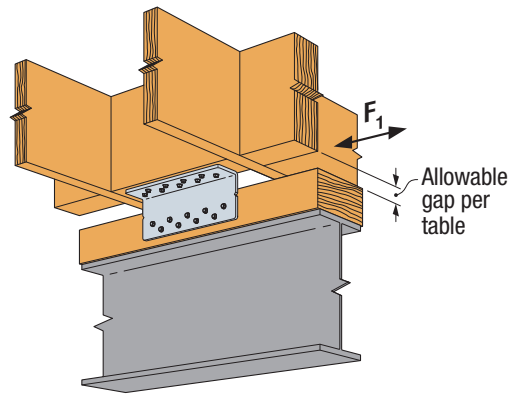
HSLQ37
(HSLQ312, HSLQ47,
HSLQ412 similar)

Model No.	Allowable Gap	Dimension (in.)			Fasteners ¼" x 2½" SDS	DF/SP Allowable Loads (100/115/125/160)		SPF/HF Allowable Loads (100/115/125/160)	Code Ref.
		W ₁	W ₂	L		Lateral (F ₁)	Lateral (F ₁)		
HSLQ37-SDS2.5	0" – 1"	3¼	2¾	7¼	10	1,340	1,150	—	
HSLQ312-SDS2.5	0" – 1"	3¼		11¾	18	2,900	2,495		
HSLQ47-SDS2.5	1" – 2"	4¼		7¼	10	1,015	870		
HSLQ412-SDS2.5	1" – 2"	4¼		11¾	18	2,290	1,970		

1. Tables loads are for one angle.
2. Loads are applicable to installation on either the narrow or the wide face of the member.
3. Minimum 4x8 wood members are required.
4. HSLQ is used for in-plane lateral load transfer only. Designer to provide for frame out-of-plane stability as required.
5. **Fasteners:** SDS screws are Simpson Strong-Tie Strong-Drive SDS Heavy-Duty Connector screws. See pp. 23–24 for fastener information.



Typical HSLQ37 Installation



Typical HSLQ412 Installation