

# HTC

## Heavy Truss Clip

For alignment control between a roof truss and nonbearing walls; the 2½" slot permits vertical truss chord movement when loads are applied.

**Material:** 18 gauge

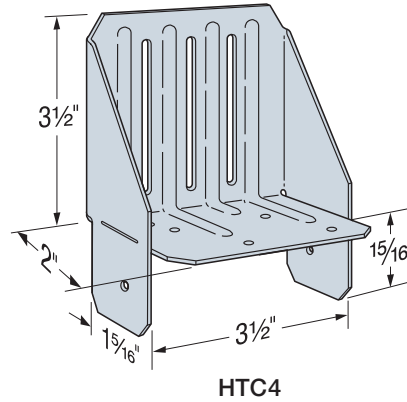
**Finish:** Galvanized

**Installation:**

- Use all specified fasteners; see General Notes
- The HTC has a 2½" slot to accommodate truss movement
- This connector has high lateral capacity
- The S/HTC is available for steel truss applications
- Products not intended for floor applications due to the frequency of floor joist deflections and potential for squeaks

**Codes:** See p. 13 for Code Reference Key Chart

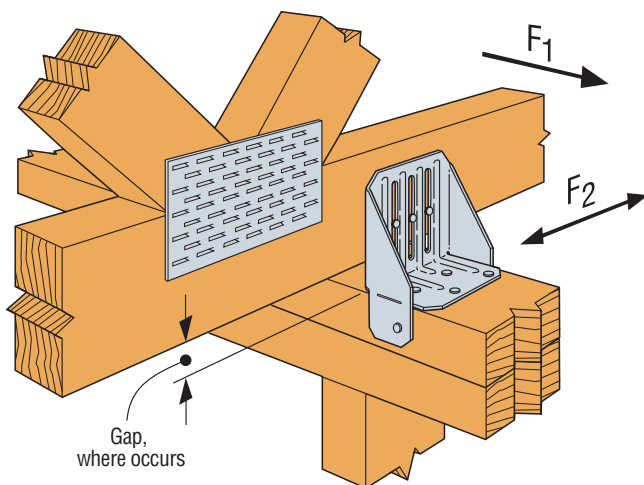
**Web Applications:** Visit [app.strongtie.com/rws](http://app.strongtie.com/rws) to access our Roof-to-Wall Selector web application.



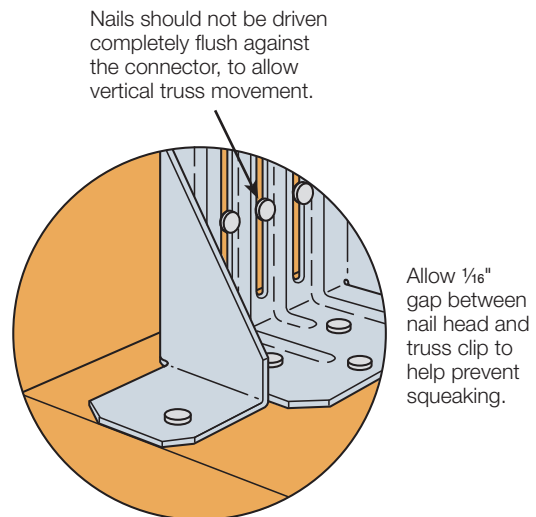
Plated Truss Connectors

Model No.	Dimensions	Fasteners (in.)		Allowable Loads <sup>1</sup> (160)				Code Ref.	
		Top Plate	Base	Slot	Without Gap <sup>2</sup>		With 1 ¼" Gap <sup>3</sup>		
					F <sub>1</sub>	F <sub>2</sub>	F <sub>1</sub>		F <sub>2</sub>
HTC4	2x4 plate	(6) 0.148 x 3	(3) 0.148 x 3	370	305	85	255	IBC®, FL, LA	
	2x6 plate	(6) 0.148 x 3	(3) 0.148 x 3	410	265	155	250		

1. Loads have been increased for wind or earthquake loading, with no further increase allowed. Reduce where other loads govern.
2. Truss or rafter must bear on top plate to achieve the allowable loads under "Without Gap."
3. When installed with maximum 1 ¼" space between rafter or truss and top plate, use loads under "With 1 ¼" Gap."
4. **Fasteners:** Nail dimensions are listed diameter by length. See pp. 23–24 for fastener information.



Typical HTC4 Installation on a 2x4 Plate



Typical HTC4 Installation on a 2x6 or Larger Plate