

# LS and S/LS Skewable Angles

LS and S/LS angles are load rated and provide the correct thickness and number of fasteners the specifier is looking for compared with field fabricated clip angles. These angles also have well-defined fastener locations, and testing ensures that the tabulated load values account for connection eccentricities. The connectors are general utility reinforcing angles with multiple uses. LS and S/LS connectors are skewable and can be used to attach members intersecting at angles.

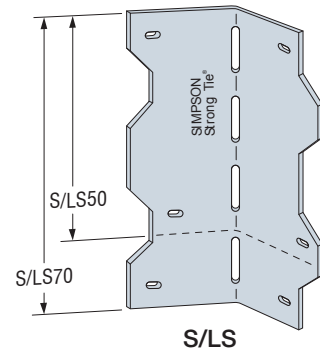
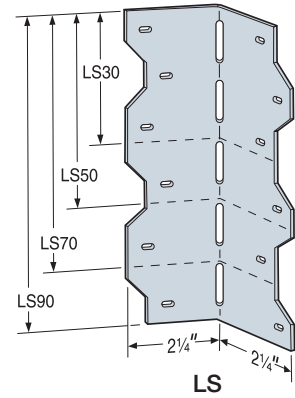
**Material:** LS — 43 mil (18 ga.); S/LS — 43 mil (18 ga.)

**Finish:** Galvanized (G90)

**Installation:**

- Use all specified fasteners
- Field-skewable; bend one time only
- CFS framing must be constrained against rotation when using a single connection

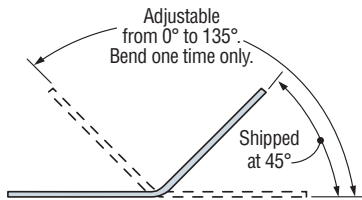
**Codes:** See p. 13 for Code Reference Key Chart



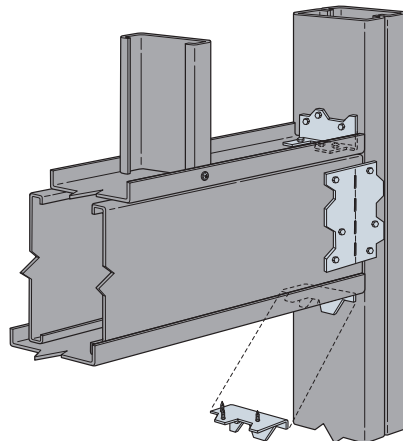
## LS and S/LS Allowable Loads (lb.)

Model No.	Length (in.)	Fasteners	Allowable Load (lb.)						Code Ref.
			33 mil (20 ga.)		43 mil (18 ga.)		54 mil (16 ga.)		
			F4	F2	F4	F2	F4	F2	
LS30	3%	(6) #10	200	—	370	—	500	—	
S/LS50	4%	(4) #10	200	—	370	—	500	—	
S/LS70	6%	(6) #10	465	—	575	—	715	—	
LS90	7%	(12) #10	465	—	895	—	915	—	

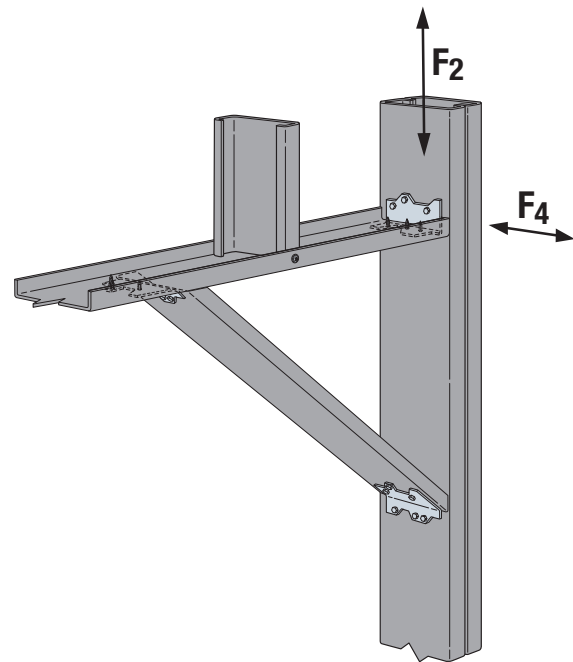
1. Loads are for one part only.
2. See the current *Fastening Systems* catalog at [strongtie.com](http://strongtie.com) for more information on Simpson Strong-Tie fasteners.



LS and S/LS Top View



Typical Installation for Gravity Headers



Typical Installation for Curtain-Wall Head