

LTHMA™

Light-Duty Multiple-Truss Hanger

A light-capacity hanger designed to carry two or three single-ply trusses in a terminal hip installation. Hip trusses are at 45°.

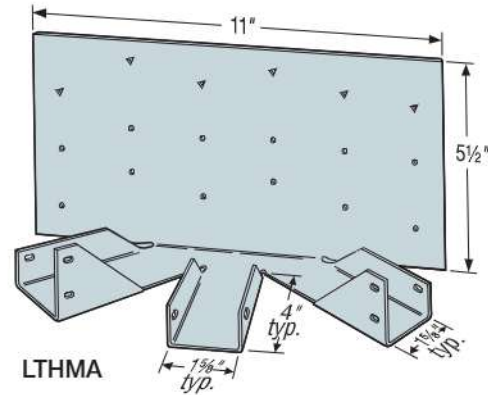
Material: 16 gauge

Finish: Galvanized

Installation:

- Use all specified fasteners; see General Notes
- The total load must be symmetrically distributed about the centerline to avoid eccentric loading of the connector
- Fill round holes for girder trusses with 2x4 bottom chords
- Fill round and triangle holes for girder trusses with 2x6 bottom chords

Codes: See p. 13 for Code Reference Key Chart

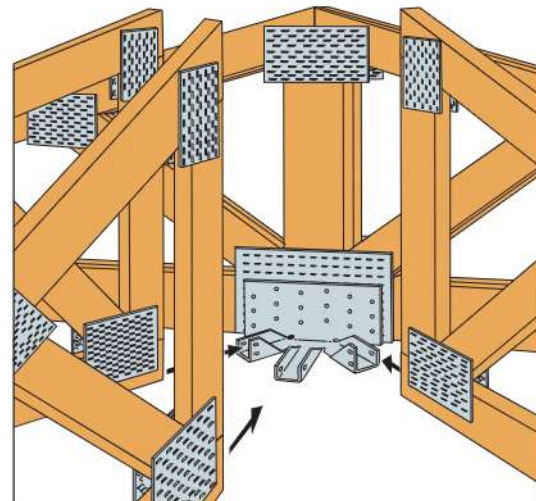


Model No.	Header	Fasteners (in.)			DF/SP Allowable Loads									Code Ref.			
		Header	Hips (Total)	Jack	Uplift (160)			Floor (100)			Snow (115)				Roof (125/160)		
					Hip	Jack	Total	Hip	Jack	Total	Hip	Jack	Total		Hip	Jack	Total
LTHMA	1-ply 2x4	(12) 0.148 x 1 1/2	(6) 0.148 x 1 1/2	(2) 0.148 x 1 1/2	65	15	140	655	150	1,460	660	155	1,475	660	155	1,475	IBC®, FL
	2-ply 2x4	(12) 0.148 x 3	(6) 0.148 x 1 1/2	(2) 0.148 x 1 1/2	65	15	140	660	140	1,460	700	160	1,560	700	160	1,560	
	1-ply 2x6	(18) 0.148 x 1 1/2	(6) 0.148 x 1 1/2	(2) 0.148 x 1 1/2	65	15	140	685	155	1,525	685	155	1,525	685	155	1,525	
	2-ply 2x6	(18) 0.148 x 3	(6) 0.148 x 1 1/2	(2) 0.148 x 1 1/2	85	25	195	985	220	2,190	1,085	245	2,415	1,085	245	2,415	

See footnotes below.

Model No.	Header	Fasteners (in.)			SPF/HF Allowable Loads									Code Ref.			
		Header	Hips (Total)	Jack	Uplift (160)			Floor (100)			Snow (115)				Roof (125/160)		
					Hip	Jack	Total	Hip	Jack	Total	Hip	Jack	Total		Hip	Jack	Total
LTHMA	1-ply 2x4	(12) 0.148 x 1 1/2	(6) 0.148 x 1 1/2	(2) 0.148 x 1 1/2	55	10	120	565	125	1,255	570	125	1,270	570	125	1,270	—
	2-ply 2x4	(12) 0.148 x 3	(6) 0.148 x 1 1/2	(2) 0.148 x 1 1/2	55	10	120	565	125	1,255	605	135	1,340	605	135	1,340	
	1-ply 2x6	(18) 0.148 x 1 1/2	(6) 0.148 x 1 1/2	(2) 0.148 x 1 1/2	55	10	120	590	130	1,310	590	130	1,310	590	130	1,310	
	2-ply 2x6	(18) 0.148 x 3	(6) 0.148 x 1 1/2	(2) 0.148 x 1 1/2	100	25	225	850	190	1,890	965	215	2,140	1,035	230	2,305	

1. Allowable loads have been increased for wind or earthquake loading with no further increase allowed. Reduce where other loads govern.
2. Hip loads are for each hip.
3. Load distribution is 45% for each hip and 10% for jack. Other hip-jack load distributions are allowed if the load sum for all three carried members does not exceed the total load and the hip members are equally loaded.
4. Truss chord cross-grain tension may limit allowable loads in accordance with ANSI/TPI 1-2014. Simpson Strong-Tie **Hanger Selector web application** includes the evaluation of cross-grain tension in its hanger allowable loads. For additional information, contact Simpson Strong-Tie.
5. **Fasteners:** Nail dimensions are listed diameter by length. See pp. 23–24 for fastener information.



Typical LTHMA Installation
(terminal hip truss condition)