

# MBHA

## Concrete and Masonry Top-Flange Hanger

The MBHA is a single-piece, non-welded connector available for solid sawn, truss and engineered wood products.

**Material:** 10 gauge

**Finish:** Galvanized

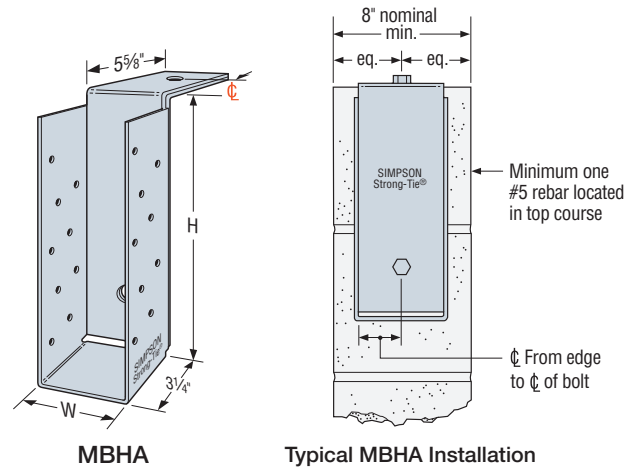
**Installation:**

- Use all specified fasteners; see General Notes

**Options:**

- Seat can be skewed at 45° only. The maximum allowable download is 3,495 lb. and 1,585 lb. uplift for height 7¼". For all other models, use the table listed download and uplift of 2,390 lb. Order MBHAR for skew right and MBHAL for skew left.

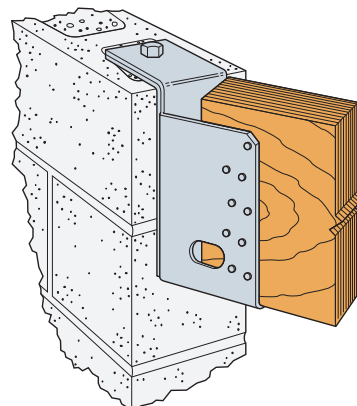
**Codes:** See p. 11 for Code Reference Key Chart



Model No.	CL	Dimensions (in.)	
		W	H
MBHA3.12/9.25	1 1/16	3 3/8	9 1/4
MBHA3.12/11.25	1 1/16	3 3/8	11 1/4
MBHA3.56/7.25	1 3/4	3 3/16	7 1/4
MBHA3.56/9.25	1 3/4	3 3/16	9 1/4
MBHA3.56/11.25	1 3/4	3 3/16	11 1/4
MBHA3.56/11.88	1 3/4	3 3/16	11 7/8
MBHA3.56/14	1 3/4	3 3/16	14
MBHA3.56/16	1 3/4	3 3/16	16
MBHA3.56/18	1 3/4	3 3/16	18
MBHA5.50/7.25	2 3/4	5 1/2	7 1/4
MBHA5.50/9.25	2 3/4	5 1/2	9 1/4
MBHA5.50/11.25	2 3/4	5 1/2	11 1/4
MBHA5.50/11.88	2 3/4	5 1/2	11 7/8
MBHA5.50/14	2 3/4	5 1/2	14
MBHA5.50/16	2 3/4	5 1/2	16
MBHA5.50/18	2 3/4	5 1/2	18

Model No.	Fasteners (in.)			Allowable Loads (DF/SP)				Code Ref.
	Header		Joist	Concrete		GFCMU		
	Top	Face		Uplift (160)	Download (100)	Uplift (160)	Download (100)	
MBHA	(1) ATR 3/4	(1) ATR 3/4	(18) 0.148 x 3	3,980	6,790	3,475	6,275	FL
MBHA models with H = 7 1/4"	(1) ATR 3/4	(1) ATR 3/4	(18) 0.148 x 3	1,885	4,380	1,885	4,380	

1. ATR is all-thread rod, grade A307 or better.
2. Concrete shall have a minimum compressive strength of  $f'_c = 2,500$  psi.
3. Grout-filled CMU (GFCMU) shall have a minimum compressive strength of  $f'_m = 1,500$  psi.
4. Uplift loads have been increased for earthquake or wind loading with no further increase allowed. Reduce where other loads govern.
5. Loads are based on installation using SET-3G™ or SET-XP® adhesive with 6 3/4" minimum embedment required. Refer to the Simpson Strong-Tie® *Anchoring, Fastening, Restoration and Strengthening Systems for Concrete and Masonry* catalog at [strongtie.com](http://strongtie.com).
6. MBHA hangers with height of 7 1/4" require a 3 1/2" minimum embedment of the face bolt using SET-3G adhesive.
7. Alternative anchorage to be designed by others.
8. Table allowable loads were determined using the tested ultimate load with a safety factor of three or fastener calculation values.
9. **Fasteners:** Nail dimensions are listed diameter by length. See pp. 21–22 for fastener information.



Typical MBHA Skewed Right Installation