

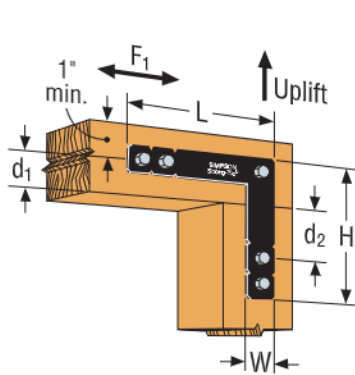
Indoor Architectural Products

Classic and Rustic Collection (cont.)

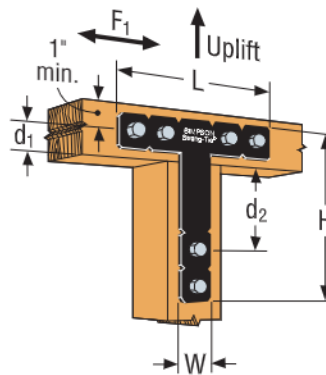
Beam-to-Column Ties

Model No.	Ga.	Dimensions (in.)			Minimum Bolt End and Edge Distances (in.)		Bolts		DF/SPF Allowable Loads		Code Ref.
		W	H	L	d ₁	d ₂	Qty.	Dia.	Tension/Uplift (100/160)	F ₁ (100/160)	
OL	12	2	12	12	2	3½	5	½"	1,435	565	—
OHL	7	2½	12	12	2½	4¾	5	¾"	1,535	565	
OT	12	2	12	12	2	3½	6	½"	2,585	815	
OHT	7	2½	12	12	2½	4¾	6	¾"	2,585	815	

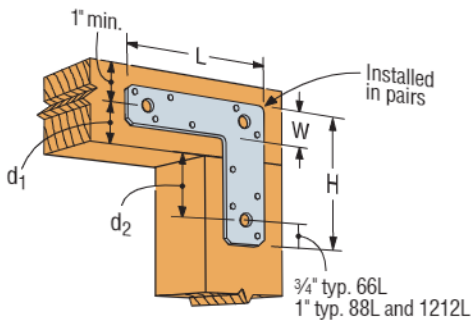
1. OL, OHL, OT, and OHT must be installed in pairs, with bolts in double shear. A single part with bolts in single shear is not load rated.
2. Allowable loads are based on a minimum member thickness of 3½".
3. OT, OHT loads assume a continuous beam.



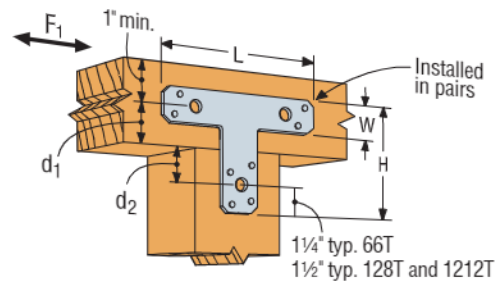
Typical OL/OHL Installation



Typical OT/OHT Installation



Typical L Installation
(see p. 294 for model no. and allowable loads)

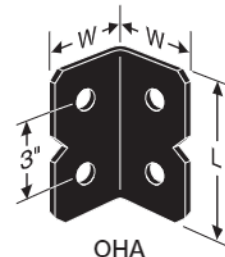


Typical T Installation
(see p. 294 for model no. and allowable loads)

These can be ordered with black powder coat.

Heavy Angles

Model No.	Ga.	Dimensions (in.)		Bolts		Code Ref.
		W	L	Qty.	Dia.	
OHA33	7	3½	3	2	¾"	—
OHA36	7	3½	6	4	¾"	



OHA