

PGT®

Pipe Grip Ties®

Our popular PGT pipe grip tie series now includes more models to meet a variety of conditions for attaching wood fence rails to metal fence posts and eliminating rotted and failed wood posts. PGT is suitable for standard applications as well as corners and splices.

- PGTIC2Z-R is an interior corner pipe grip tie.
- PGT1.5Z-R is for 1½" pipe (1⅞" outside diameter).
PGT2-R and PGT2Z-R are for 2" pipe (2⅜" outside diameter).
- PGT2A is for 2" pipe (2⅜" outside diameter).
- PGT2E is for 2" pipes and features a two-piece design that provides a solid connection between fence stringer and post.

Material: PGT2A — 14 gauge; all others — 12 gauge

Finish: PGTA, PGT2-R, PGT2E — galvanized;
PGTIC2Z, PGT1.5Z, PGT2Z-R — ZMAX® coating

Installation:

- Use all specified fasteners; see General Notes.
- PGTIC2Z-R to Post — Install two set screws (supplied) with ⅜" socket in predrilled holes.
- PGTIC2Z-R to Rails — Use ¼" x 1½" Strong-Drive® SDS Heavy-Duty Connector screws (not supplied). PGTIC set screws are included.
- Install on vertical pipes, offsetting corners to allow for the correct rail alignment.
- Use three to four PGTs per pipe; line up to stringline.
- Fasten PGT with ¼" hex-head bolt (supplied).
- PGT attaches to rails with four ¼" x 1½" Strong-Drive SDS Heavy-Duty Connector screws (not supplied). See p. 361 for Strong-Drive SDS Heavy-Duty Connector screw information. ¼" lag screws may be used. Follow the code requirements for predrilling.
- Field bend PGT flanges to fit corner and angled conditions (bend one time only).
- Nail or screw fence boards to rails.
- PGT2E-R50: Sold as full carton with (50) attachment plates, (50) front straps and (55) ¼" diameter x ¾" long hex-head bolts.
- PGTSCREW-R10 is a pack of (10) ¼" x 2½" replacement hex-head screw bolts for the PGT2A, PGT2-R, PGT2Z-R and PGT1.5Z-R.

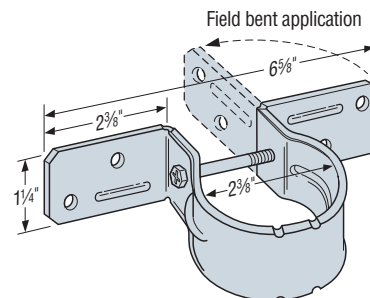
Web Applications: Visit app.strongtie.com/fps to access our Fence Planner Software™.



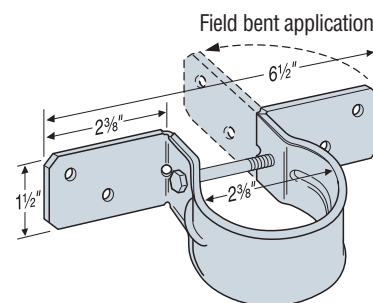
These products are available with additional corrosion protection. For more information, see p. 16.

Model No.	Pipe Diameter	Ga.	Width (in.)	Height (in.)	Fasteners	
					Wood Rail SDS ¼" x 1½" (not supplied)	Metal Post
PGT1.5Z	1⅞" OD	12	6½"	1½"	4	(1) bolt supplied
PGT2A	2⅜" OD	14	6⅝"	1¼"	4	(1) bolt supplied
PGT2E		12	7¼"	2"	4	(1) bolt supplied
PGTIC2Z		12	4¾"	2½"	4	(2) set screws supplied
PGT2-R	2"	12	6½"	1½"	4	(1) bolt supplied
PGT2Z-R		12	6½"	1½"	4	(1) bolt supplied

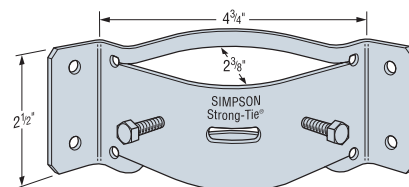
1. **Fasteners:** SDS screws are Simpson Strong-Tie Strong-Drive SDS Heavy-Duty Connector screws. See pp. 23–24 for fastener information.



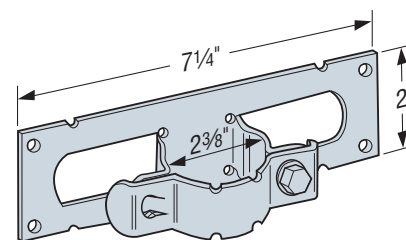
PGT2A



PGT2Z-R
(PGT1.5Z-R similar)



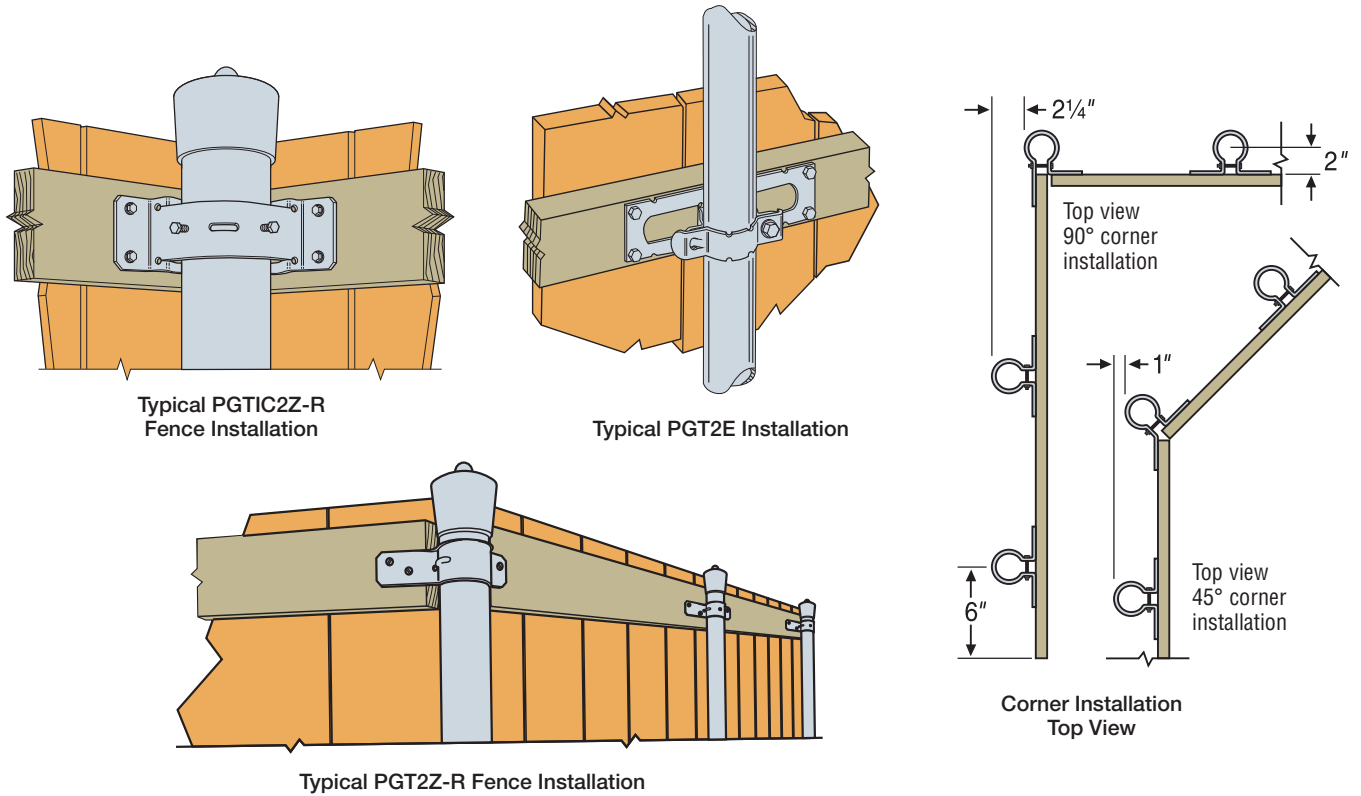
PGTIC2Z-R



PGT2E
US Patent 8,220,781

PGT®

Pipe Grip Ties® (cont.)



DPTZ

Deck Post Tie

The DPTZ deck post tie products are used to attach 2x4 (DPT5Z) or 4x4 (DPT7Z) vertical posts to the side of stringers, rims or other wood members.

Material: 14 gauge

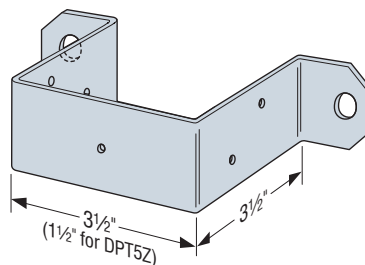
Finish: ZMAX® coating

Installation:

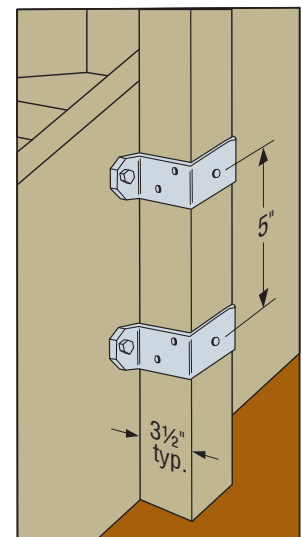
- Use specified HDG fasteners; see General Notes
- Typically installed in pairs
- Install with two 3/8" through bolts into side member (lag screws not permitted) and (5) 0.148" x 1 1/2" nails to post for DPT5Z or (5) 0.148" x 3" for DPT7Z

Web Applications:

Visit app.strongtie.com/fps to access our Fence Planner Software™.



DPT7Z
(DPT5Z similar)



Typical DPT7Z Stairway Installation
(DPT5Z similar)