

PSCL/PSCA

Panel Sheathing Clips

Simpson Strong-Tie panel sheathing clips are used to brace unsupported sheathing edges and provide a 1/8" gap to address shrinkage and expansion of roof sheathing.

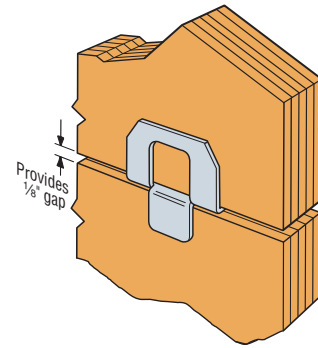
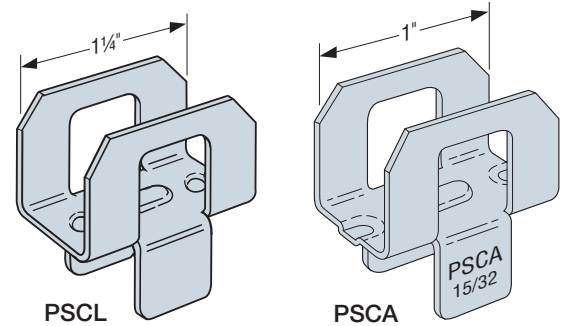
Material: 20 gauge

Finish: Galvanized

Installation:

- Use the same size sheathing clip as the panel thickness
- Maximum spans may be reduced for low slopes or high uniform loads; refer to sheathing manufacturer's installation instructions

Codes: See p. 11 for Code Reference Key Chart



Typical PSCL Installation
(PSCA similar)

Span Rating	Panel Thickness (in.)	Model No.	Maximum Roof Sheathing Span		No. of Clips Per Span	Code Ref.
			With Clip	Without Clip		
24/0	3/8	PSCL3/8	24	20	1	—
24/16	7/16	PSCA7/16	24	24	1 ²	
24/16	7/16	PSCL7/16	24	24	1	
32/16	15/32	PSCA15/32	32	28	1 ²	
32/16	15/32	PSCL15/32	32	28	1	
32/16	1/2	PSCA1/2	32	28	1 ²	
32/16	1/2	PSCL1/2	32	28	1	
40/20	5/8	PSCA 5/8	40	32	1 ²	
40/20	5/8	PSCL5/8	40	32	1	
40/20	19/32	PSCL19/32	40	32	1	
48/24	3/4	PSCL3/4	48	36	2	

1. Span rating and Maximum Roof Sheathing Spans are for reference only. Refer to IBC Table 2304.8 (3) for additional important information.
2. Maximum roof sheathing span with a single PSCA is 28". For spans > 28", use two PSCAs.

MP

Mending Plates

Versatile and easy-to-use mending plates for wood-to-wood connections. No nails or notching of wood required. For non-structural applications only; not for truss applications.

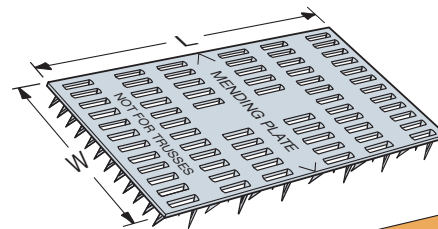
Material: 20 gauge

Finish: Galvanized

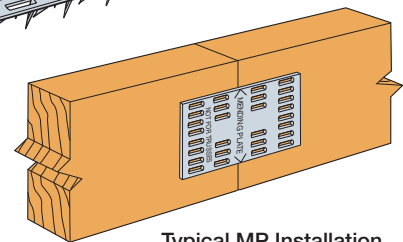
Installation:

- Place plate over two pieces of aligned wood with arrows aligned at joint
- Place a wood block over the mending plate and hammer the wood block to embed the prongs

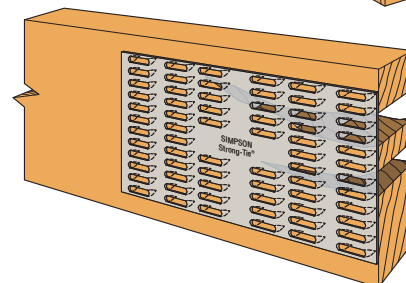
Codes: See p. 11 for Code Reference Key Chart



MP36
(other sizes similar)



Typical MP Installation



Pallet Repair Application

Model No.	Dimensions (in.)		Code Ref.
	W	L	
MP14	1	4	—
MP24	2	4	
MP36	3	6	

1. Connectors are not load rated.