

RC

Ripper Clip

The ripper clip is designed to connect ripped 2x framing to the top of another wood joist.

Material: 20 gauge

Finish: Galvanized

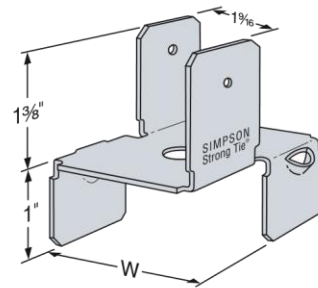
Installation:

- Use all specified fasteners; refer to General Notes
- Attach RC to ripper, then attach ripper/RC assembly to roof joist

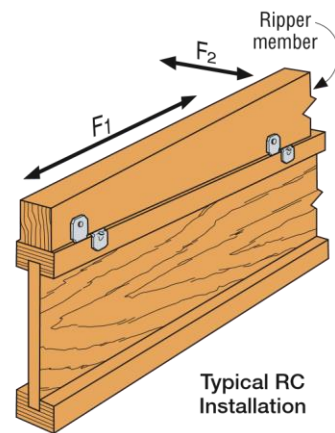
Codes: See p. 13 for Code Reference Key Chart

Model No.	W (in.)	Fasteners (in.)		Allowable Uplift Load (160)	F ₁	F ₂	Code Ref.
		Ripper	Joist				
RC1.56	1 $\frac{1}{16}$			205	240	205	—
RC1.81	1 $\frac{13}{16}$	(2) 0.148 x 1 $\frac{1}{2}$	(2) 0.148 x 1 $\frac{1}{2}$				
RC2.1	2 $\frac{1}{8}$						

1. Allowable loads are for DF ripper members.
2. Uplift loads have been increased for earthquake or wind loading with no further increase allowed. Reduce where other loads govern.
3. Designer to consider stability/blocking requirements for system, if necessary.
4. Spacing of RC per designer.
5. **Fasteners:** Nail dimensions are listed diameter by length. See pp. 23–24 for fastener information.



RC1.56
(others similar)



Typical RC Installation