

SFC Steel Framing Connectors



This product is preferable to similar connectors because of a) easier installation, b) higher loads, c) lower installed cost, or a combination of these features.

SFC connectors are a low-cost, multi-use utility clips for light to moderate loading conditions in CFS stud-to-stud and stud-to-structure applications where long leg lengths are not required.

Features:

- Reduced number of screws reduces installation cost
- Prepunched holes reduce installation cost by eliminating predrilling
- Intuitive fastener hole positions ensure accurate clip installation in accordance with design, support a wide range of design and application requirements and provide installation flexibility
- In soft-side stud installations, SFC will not interfere with stud lips up to 3/4" long*
- Also suitable for u-channel bridging

Material: SFC — 54 mil (50 ksi)

Finish: Galvanized (G90)

Installation:

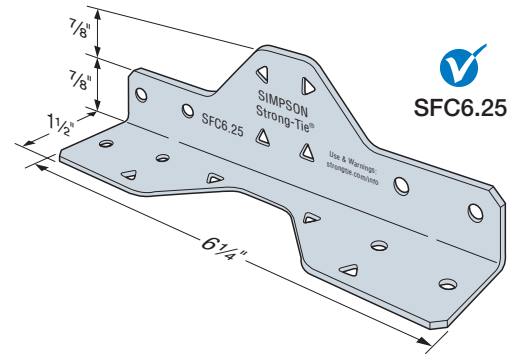
- Use all specified fasteners/anchors

Codes: See p. 13 for Code Reference Key Chart

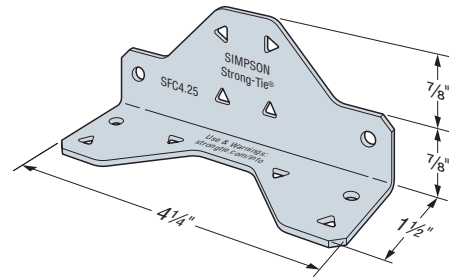
For detailed product dimensions, refer to p. 102.

Ordering Information

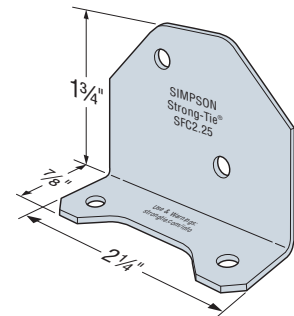
Model No.	Ordering SKU	Package Quantity
SFC2.25	SFC2.25-R300	Bucket of 300
SFC4.25	SFC4.25-R175	Bucket of 175
SFC6.25	SFC6.25-R100	Bucket of 100



SFC6.25



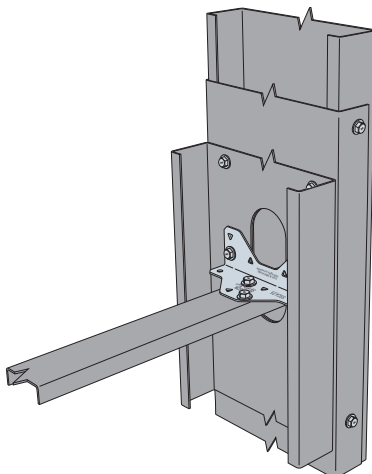
SFC4.25



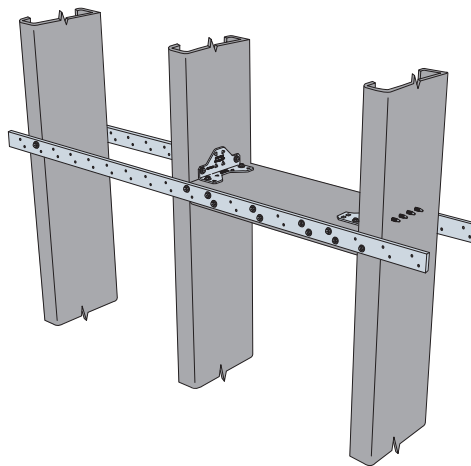
SFC2.25

US Patent: 9,016,024

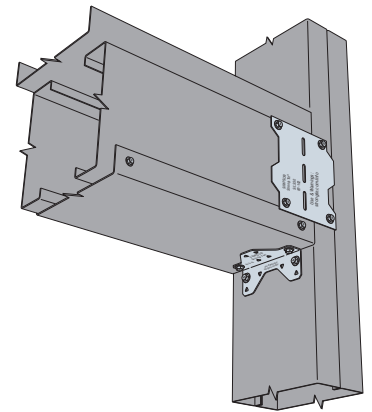
Rigid Connectors



U-Channel to Jamb



Stud Blocking with CS Coiled Strap



Box Headers to Jamb
(also shown S/LS angles)

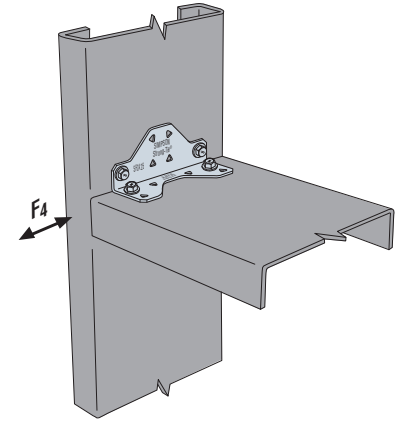
*SFC2.25 clips will accommodate 5/8" long stiffener clips.

SFC Steel Framing Connectors

SFC Connectors — CFS to CFS Allowable Loads (lb.)

Rigid Connectors

Model No.	Connector Material Thickness mil (ga.)	L (in.)	Framing Member Depth (in.)	Fasteners			Allowable F ₄ Load (lb.)				Code Ref.
				Pattern ¹	Carried Member	Carrying Member	Minimum Member Thickness			Maximum Connector Load ³	
							33 mil (20 ga.)	43 mil (18 ga.)	54 mil (16 ga.)		
SFC2.25	54 (16)	2¼	2½, 3¾	Min.	(2) #10	(2) #10	295	355	630	630	IBC
SFC4.25	54 (16)	4¼	6	Min.	(2) #10	(2) #10	355	525	745	1,750	
				Max.	(6) #10	(6) #10	575	985	1,750		
SFC6.25	54 (16)	6¼	8	Min.	(4) #10	(4) #10	590	1,035	1,840	2,640	
				Max.	(8) #10	(8) #10	590	1,055	1,880		



Typical SFC Installation

1. Min. fastener quantity and load values — fill all round holes; Max. fastener quantity and load values — fill all round and triangular holes.
2. Allowable loads are based on bracing of the members located within 12" of the connection.
3. Maximum allowable load for connector that may not be exceeded when designing custom installations. Designer is responsible for member and fastener design.
4. See the current *Fastening Systems* catalog at strongtie.com for more information on Simpson Strong-Tie fasteners.

SFC Utility Clip Dimensions

