

# TP/TPA

## Tie Plates

TPs are nail-on tie plates. TPAs are flanged for added support.

**Material:** 20 gauge

**Finish:** Galvanized

**Installation:**

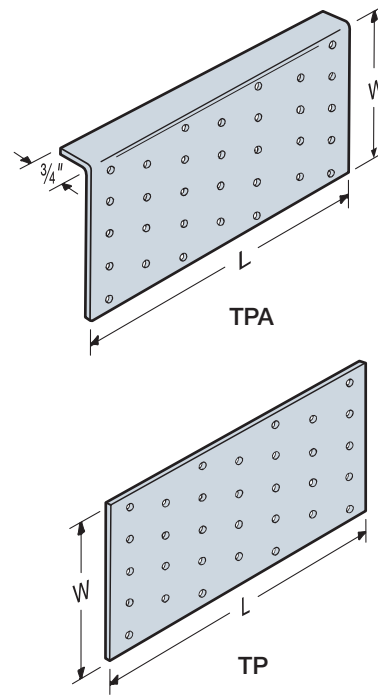
- Holes are sized for 0.131" x 2½" nails or 0.131" x 1½" nails

**Codes:** See p. 13 for Code Reference Key Chart

**SD** Many of these products are approved for installation with Strong-Drive® SD Connector screws. See pp. 362–366 for more information.

Model No.	Dimensions (in.)		Number of Nail Holes	Code Ref.
	W	L		
TP15	1 15/16	5	13	—
TPA37	3 1/2	7	32	
TPA39	3 1/2	9	41	
TP35	3 1/8	5	23	
TP37	3 1/8	7	32	
TP39	3 1/8	9	41	
TP312	3 1/8	12	54	
TP316	3 1/8	16	72	
TP45	4 1/8	5	30	
TP47	4 1/8	7	42	
TP49	4 1/8	9	54	
TP411	4 1/8	11	66	
TP57	5 3/4	7	60	
TPA57	5	7	49	

1. Connectors are not load rated.



# J/JP

## Floor Beam Levelers

Jack piers and standard floor beam levelers offer unique leveling simplicity during and after construction.

**Material:** 12-gauge plates; ¾" threaded rod; 1 1/8" O.D. steel pipe

**Finish:** None

**Installation:**

- Use all specified fasteners; see General Notes
- Holes are provided for installation with (4) 0.148" x 1½" nails
- Do not use J/JPs for dynamic jacking of structures, such as houses

**Codes:** See p. 13 for Code Reference Key Chart

Model No.	Dimensions			DF/SP/SPF/HF Allowable Bearing Loads (100)	Code Ref.
	H (Min.–Max.) (in.)	Pipe Length (in.)	Threaded Rod Length (in.)		
JP44	2–4	—	4¾	4,440	—
J57	5–7	4	4	4,380	
J813	8–13	7	8	4,380	
J1318	13–18	12	10	4,380	
J1621	16–21	15	10	4,380	
J2126	21–26	20	10	4,380	

1. Post design by designer. See [strongtie.com/post](http://strongtie.com/post) for post allowable loads.

2. Loads may not be increased for duration of load.

3. **Fasteners:** Nail dimensions are listed diameter by length. See pp. 23–24 for fastener information.

