

TimberDrive™ Structural Screw Fastening System

SIMPSON
Strong-Tie



Stand Up for Structural Fastening

Timber Drive is a revolutionary tool for stand-up operation while driving large structural screws. It's ideal for heavy-duty jobs that require repetitive fastening, such as decks, docks, boardwalks, piers and flooring, as well as metal straps to wood, engineered wood, or mass timber panels. The ergonomic design of Timber Drive makes it a faster, easier way to work — with less fatigue on knees, back and shoulders. It offers more ease of movement and helps to reduce jobsite hazards.

Features

- Built-in extension for ergonomic, stand-up screw driving.
- Works with corded or cordless motors.
- Adjustable countersink depth for any job. Expanded depth settings for high-density flooring materials.
- Works with structural screws in a wide variety of thread types and head styles.
- Fastener length adjustment (for 3"–6¼" screws).
- Fastener diameter adjustment (for #10–#12, #14–0.315", 0.316"–0.394" shanks).
- Patent-pending gravity-feed mechanism allows you to load each screw quickly and easily.
- Configurable nosepiece: Use nose plate for face fastening wood surfaces or built-in precision-placement nosepiece for metal connector-to-wood fastening.
- No special certification is required to operate.
- Limited 1-year warranty on the Timber Drive system (see strongtie.com/warranty for more information).

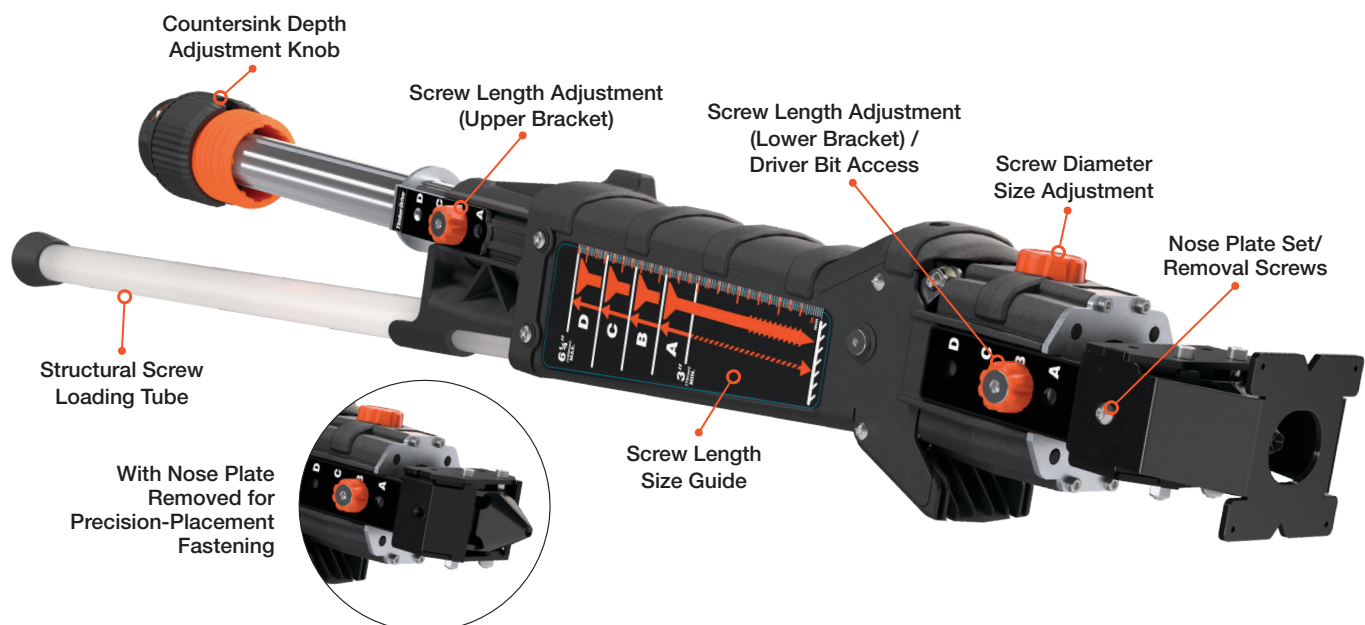


Nose plate for wood-to-wood applications.



Precision-placement nosepiece for steel-to-wood fastening.

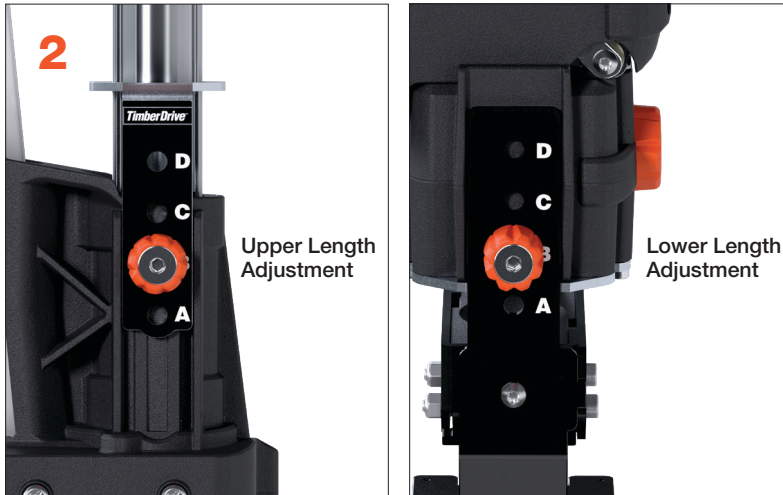
The Timber Drive Solution



Easy Initial Set-Up



Attach driver motor equipped with Quik Drive® G2 adapter.



Adjust for corresponding screw length (two settings must be the same).



Adjust for corresponding screw shank diameter.



Installing a Screw Is As Easy As 1- 2- 3



Drop a single structural screw into the feed tube.



Pull the driver motor trigger.



Push down on the Timber Drive motor and handle to install fasteners.



Note: Adjust for countersink depth.

Typical Timber Drive Applications

Wood-to-wood or engineered wood applications such as wharfs, docks, walkways, mass timber spline connections, multi-ply truss and any application where stand-up driving of structural fasteners is required.

- Timber Drive installs structural fasteners from 3" to 6¼"
- Compatible with drive motors equipped with a Quik Drive G2 adapter
- Timber Drive supports multiple head styles, including: flat head, washer head and hex head. It is compatible with various sizes of 6-lobe and hex-head driver bits.



Strong-Drive® Recommended Structural Wood Screws for the Timber Drive Fastening Solution

Testing has shown that Simpson Strong-Tie® Strong-Drive® structural screws achieve some of the highest load values in the industry, ensuring a strong, secure connection.

The following fasteners are recommended for use with Timber Drive:



For more information on Timber Drive™, please scan the QR code.



Strong-Drive SDWS™ TIMBER Screw (Exterior Grade), 3"–6"



Strong-Drive SDWS TIMBER Screw (Interior Grade), 3"–6"



Strong-Drive SDWS Timber SS Screw, 3"–6"



Strong-Drive SDWS Framing Screw, 3"–4"



Strong-Drive SDW™ EWP-PLY Screw, 3 3/8"–5"



Strong-Drive SDW TRUSS-PLY Screw, 3"–6"



Strong-Drive SDWH™ Timber Hex Screw, 3"–6"



Strong-Drive SDWH Timber-Hex SS Screw, 0.185" x 4"–6"



Strong-Drive SDS HEAVY-DUTY CONNECTOR Screw, 3"–6"



Strong-Drive SDCF Timber-CF Screw, 4"–6 1/4"



Strong-Drive SDCP Timber-CP Screw, 3 1/8"–6 1/4"



Strong-Drive SDHR Combo Head Screw, 0.275" x 4"–6 1/4"



Strong-Drive DWP WOOD SS Screw, 3"–6"



Strong-Drive SDWV Sole-to-Rim Screw, 4"



Strong-Drive CSV Construction Screw, 3"



Deck-Drive DSV Wood Screw, 3"–4"

Timber Drive System Kit



The Timber Drive Solution includes

- Timber Drive attachment with built-in precision-placement nosepiece
- Protective carrying case
- Side handle
- User guide
- Adjustment thumbscrews
- Allen wrench

Timber Drive Structural Screw Fastening System

Model No.	Description
TDPRO625G1	Timber Drive System with case

Timber Drive Accessories

Accessories/Parts Model No.	Description
TDSCREWS	Timber Drive Thumb Screws and Allen Wrench
TDHANDLE	Timber Drive Side Handle
DW269QD	DeWalt 1000 rpm driver motor with Quik Drive G2 Adapter (recommended for high-torque applications)
DCF624M2G2	DeWalt 2000 rpm driver motor with Quik Drive G2 Adapter (recommended for low-torque applications)
BIT50T-2-R1	T50 6-lobe Driver Bit
BIT40T-2-R2	T40 6-lobe Driver Bit
BIT30T-2-R2	T30 6-lobe Driver Bit
BIT27T-2-R2	T27 6-lobe Driver Bit
BIT25T-2-R2	T25 6-lobe Driver Bit
BITHEXR38-R1	3/8" Hex Driver Bit
BITHEXR516-R1	5/16" Hex Driver Bit



DeWalt DCF624M2G2, DeWalt DW269QD
(sold separately, adapter included)



G2 Adapter
(sold separately)

G2 Adapters for Most Popular Screwdriver Motors

Screwdriver Motor	G2 Adapter
DeWalt® (corded)	
254, 255, 257, 260, 265, 266, 269, 272, 274, 275, 276, 277, 281, 284	DWAG2
267, 268	DWA3G2
DeWalt® (cordless)	
DCF620	DWA8G2
DCF622	DWA3G2
DCF624	DWA9G2
DC825	DWA2G2
DCF885, DCF886, DCF887	DWA6G2
825, 827, 835, 845, 855	DWAG2
969	DWA3G2
Hilti® (corded)	
ST 18	HT18G2
Hilti® (cordless)	
ST 1800-A18	HT18G2
Hitachi® (corded)	
W6VM, W6V3, W6V4, W6VA4, W6VB2, W6VB3, W8VB, W8VB2	HIAG2
Makita® (corded)	
FS2200, FS2500, FS4200, FS6200	MAA3G2
Makita® (cordless)	
LXSF01	MAA3G2
BTD140, BTD141, BTD144, BTD142HW	MAA1G2
LXDT04	MAA6G2
XSF03	MAA3G2
Milwaukee® (corded)	
6701-20, 6702-20, 6707-20, 6708-21, 6740-20, 6741-1, 6742-20, 6743-20, 6743-50, 6743-55, 6745-1, 6746-1, 6755-4, 6758, 6760, 6790-1, 6790-20, 6791-20	MIAG2
2653	MIA1G2