

Titen HD[®] Heavy-Duty Screw Anchor with Washer Head



The Titen HD with washer head is a high-strength screw anchor for use in cracked and uncracked concrete, as well as masonry.

The washer-head design is commonly used where a minimal head profile is necessary. The model is offered in sizes suitable for use in sill plate applications, and the washer head's low installed profile means modular wall and floor systems can be installed on top with no need for notching the wall framing to accommodate the anchor.

The anchor's 6-lobe drive eases driving and is less prone to stripping.

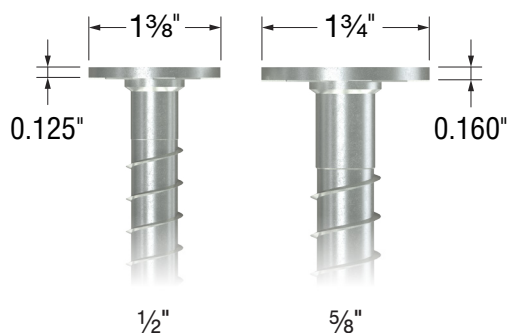
Features and Benefits

- Qualified in accordance with ICC-ES AC193 and ACI 355.2 for cracked and uncracked concrete for static, wind and seismic loading conditions
- Available in 1/2" and 5/8" diameters
- Standard fractional sizes — the hole size matches the anchor size
- No special drill bit required — designed to install using standard-sized ANSI tolerance drill bits
- For added convenience, a 1/2" socket adapter and two T-drive bits included in each box
- Removable — ideal for temporary anchoring or applications where fixtures may need to be moved
- Washer head allows screw anchor applications incompatible with a hex head

Codes: ICC-ES ESR-2713 (concrete)

Material: Carbon steel

Coating: Zinc plated



Titen HD Washer Head eliminates common interference issues.



Titen HD Heavy-Duty Screw Anchor with Washer Head



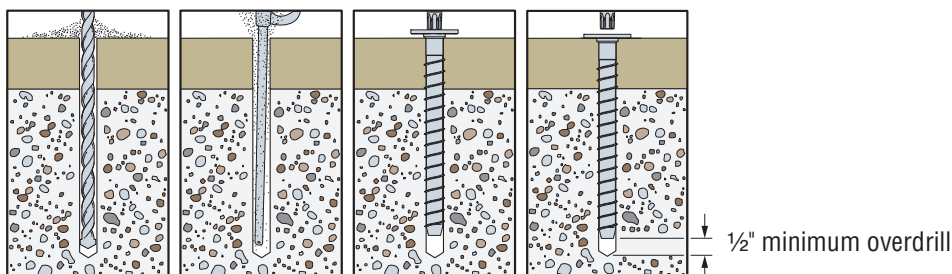
Washer Head Low Profile Head Style

Titen HD® Heavy-Duty Screw Anchor with Washer Head

Titen HD Screw Anchor Product Data — Washer Head

Size (in.)	Model No.	Drill Bit Dia. (in.)	Bit Size	Box Qty.	Carton Qty.
1/2 x 6	THD50600WH	1/2	T50	15	60
1/2 x 8	THD50800WH	1/2	T50	15	30
5/8 x 6	THDB62600WH	5/8	T60	10	40
5/8 x 8	THDB62800WH	5/8	T60	10	20
5/8 x 10	THDB62100WH	5/8	T60	10	20

Installation Sequence



Warning: Holes in metal fixtures to be mounted should match the diameter specified in the table below. Use a Titen HD screw anchor one time only — installing the anchor multiple times may result in excessive thread wear and reduce load capacity.

Warning: Do not use impact wrenches to install into hollow CMU.

Caution: Oversized holes in base material will reduce or eliminate the mechanical interlock of the threads with the base material and reduce the anchor's load capacity.

1. Drill a hole in the base material using a carbide drill bit the same diameter as the nominal diameter of the anchor to be installed. Drill the hole to the specified embedment depth plus minimum hole depth overdrill (see table below) to allow the thread tapping dust to settle, and blow it clean using compressed air. (Overhead installations need not be blown clean.) Alternatively, drill the hole deep enough to accommodate embedment depth and the dust from drilling and tapping.
2. Insert the anchor through the fixture and into the hole.
3. Tighten the anchor into the base material until the washer head contacts the fixture.

Additional Installation Information

Titen HD Diameter (in.)	Bit Size	Recommended Steel Fixture Hole Size (in.)
1/2	T50	5/8 to 11/16
5/8	T60	3/4 to 13/16

Suggested fixture hole sizes are for structural steel thicker than 12 gauge only. Larger holes are not required for wood or cold-formed steel members.

For additional load information, see strongtie.com.



Modular floor panel installed on top of Titen HD Washer Head and sill plate.