

LUC/LU/U/HU/HUC

Standard Face-Mount Joist Hangers

LUC — Concealed-flange hanger available for 2x6, 2x8, 2x10 and 2x12 lumber. Ideal for end of ledger/header or post conditions, the LUCZ also provides cleaner lines for exposed conditions such as overhead decks.

LU — Value engineered for strength and economy. Precision-formed — engineered for installation ease and design value.

U — The standard U hanger provides flexibility of joist to header installation. Versatile fastener selection with tested allowable loads.

HU/HUC — Most models have triangle and round holes. To achieve maximum loads, fill both round and triangle holes with common nails. These heavy-duty connectors are designed for additional strength, longevity and safety factors.

Material: See tables on pp. 108–118

Finish: Galvanized. Some products available in ZMAX® coating or stainless steel.

Installation:

- Use all specified fasteners; see General Notes.
- HU/HUC — Can be installed filling round holes only, or filling round and triangle holes for maximum values.
- Joists sloped up to ¼:12 achieve table loads.
- For installations to masonry or concrete see pp. 253–255.
- HU/HUC hangers can be welded to a steel member. Allowable loads are the lesser of the values in the hanger tables on pp. 108–118 or the weld capacity — refer to technical bulletin T-C-HUHUC-W at strongtie.com.
- When nailing into solid sawn carrying member's end grain, the allowable load is adjusted by a factor of 0.67.

Allowable Loads:

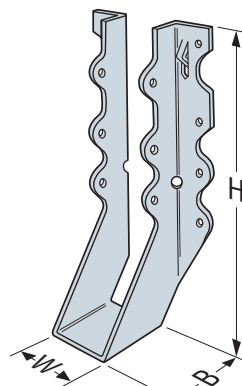
- See table on pp. 108–118 for loads.

Options:

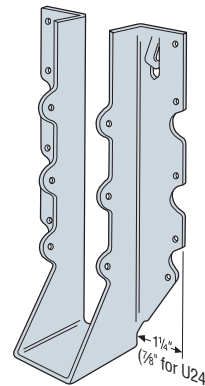
- For both flanges concealed, order HUC.
- When the HUC is skewed, the header flange opposite the skew direction is not concealed. See p. 105.
- For low-cost, code approved 45° skewed hangers, see SUR/SUL.
- For field-adjustable hangers, see LSSJ, LRUZ and LSSR on pp. 120–124.
- See modifications table for available options and associated load capacities for U and HU hangers.
- For ease of ordering, refer to technical bulletin T-C-U-HU-WS at strongtie.com.
- LU/LUC cannot be modified.

Web Applications:

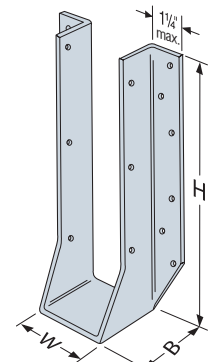
Visit app.strongtie.com/hs to access our Hanger Selector web application.



LU28

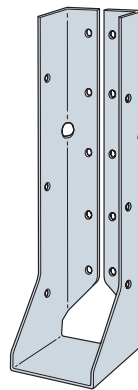


U210

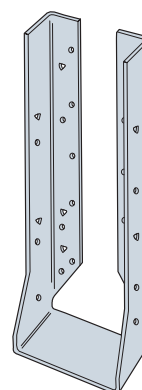


HU214

Projection seat on most models for maximum bearing and section economy.

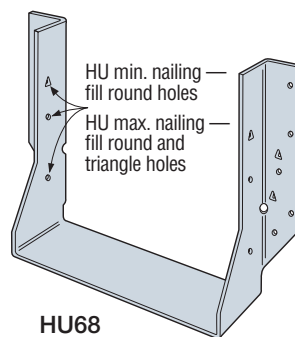


LUC210Z
(LUC26Z similar)

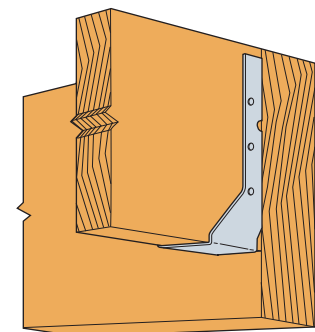


HUC412
Concealed flanges

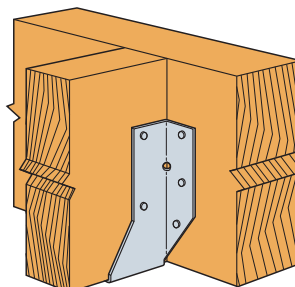
Model configurations may differ from those shown. Some HU models do not have triangle holes. Contact Simpson Strong-Tie.



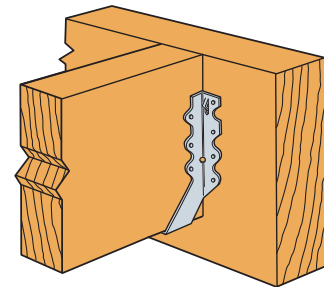
HU68



Typical LUCZ Installation



Typical HU Installation



Typical LU28 Installation

LUC/LU/U/HU/HUC

Standard Face-Mount Joist Hangers (cont.)

U/HU/HUC Series Modifications and Associated Load Reduction Factors

Seat		Flange	Fastener Substitutions			
Seat Sloped Up or Down 45° Max.	Seat Skewed 67½° Max. ³ for W ≤ 6 45° Max. for W > 6		Seat Sloped and Skewed	For Stainless-Steel Hangers Stainless-Steel Nails 0.162" x 3½"		Other Smooth-Shank Fastener Substitutions
1.00	W ≤ 3⅝ use 1.00 W > 3⅝ use 0.80	0.80	1.00 (normal) 0.80 (when sloped and skewed)	Ring shank (all conditions) 1.00 Smooth shank (normal seat) 1.00 Smooth shank (modified seat) ¹ 0.50	0.162" x 3½" → 0.162" x 2½" 1.00 0.162" x 3½" → 0.148" x 3" 0.84 0.162" x 3½" → 0.148" x 1½" 0.64	

1. Modified seat is sloped, skewed, or both. For stainless-steel hangers, if sloped only or skewed only, use a smooth-shank stainless-steel reduction of 0.65.
2. For hanger applications with both flanges concealed, W must be at least 2⅝". To order, ask for HUCXXX.
For skewed HUC, only flange on acute side is concealed.
3. Skews over 50° require a square-cut joist.

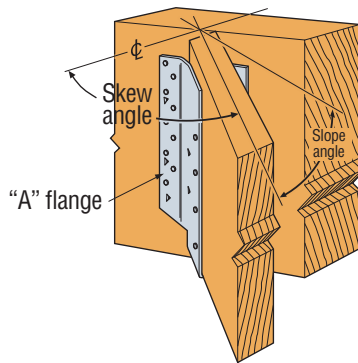
Reduction Factor Instructions

Allowable Download = Seat x Flange x Stainless Steel Nails x Other Fastener Substitutions x Table Load

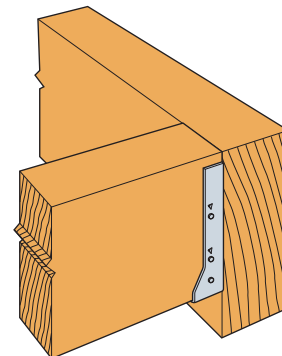
Allowable Uplift = 0.75 x Face Fastener Type x Table Load for skewed or sloped
1.00 x Face Fastener Type x Table Load for non-skewed or non-sloped

Maximum Skew Angle for Skewed HUC Hangers

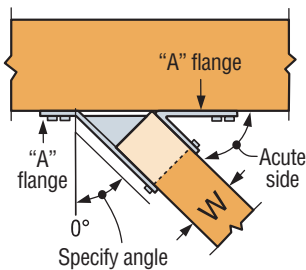
Hanger Width (in.)	Maximum Skew (degree)
2⅝	31
2¾	31
2⅞	34
2¾	37
3⅝	41
3¾	42
> 3¾	45



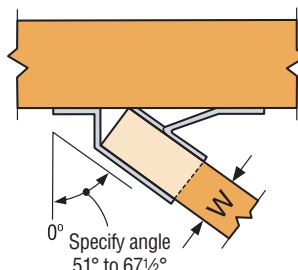
Typical HU Sloped Down, Skewed Right Installation



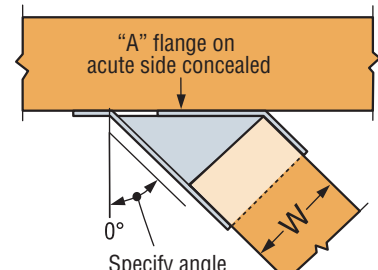
Typical HUC Installed on a Beam



Top View U Hanger Skewed Right < 51° (square cut)



Top View U Hanger Skewed Right ≥ 51° (square cut)



Top View HUC Concealed Hanger Skewed Right (square cut)

U/HU/HUC/HUCQ

Face-Mount Hangers

See hanger tables on pp. 156–162.

U — The standard U hanger provides flexibility of joist to header installation. Versatile fastener selection with tested allowable loads.

HU/HUC — Most models have triangle and round holes. To achieve maximum loads, fill both round and triangle holes with common nails.

HUCQ — Features concealed flanges so it can be installed close to the end of the supporting beam or on a post. They install with Strong-Drive® SDS Heavy-Duty Connector screws (supplied with the hanger) for high capacity and ease of installation.

Feature:

- HUCQ only — Fire-resistant F (flame) and T (temperature) rated in Intertek Design No. SST/WPCF 120-01.



Material: U — 16 gauge; HU/HUC/HUCQ — 14 gauge

Finish: Galvanized

Installation:

- Use all specified fasteners; see General Notes.
- HU/HUC — Can be installed filling round holes only, or filling round and triangle holes for maximum values.
- HUCQ — When using structural composite lumber columns, the capacities shown in the tables are for fasteners applied to the wide face of the column.
- Web stiffeners are required for all I-joists used with these hangers.
- For installation to masonry or concrete, see pp. 253–255.
- HU/HUC/HUCQ hangers can be welded to a steel member. For HU/HUC allowable loads, refer to technical bulletin T-C-HUHUC-W at strongtie.com. HUCQ allowable loads listed in hanger tables on pp. 156–162 apply when installed with minimum (6) 1" welds.

Options:

- Order HUC_X hanger. For both flanges concealed, order HUC.

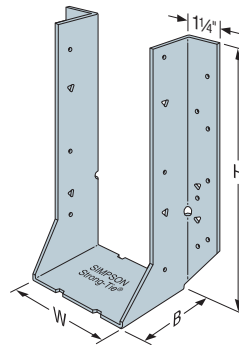
Sloped, Skewed and Sloped/Skewed:

- For low-cost, code-approved 45° skewed hangers, see SUR/SUL on pp. 164–165.
- For field-adjustable hangers, see LSSR on pp. 166–167.
- See modification table for available options and associated load capacities for U and HU hangers.
- HUCQ cannot be modified.

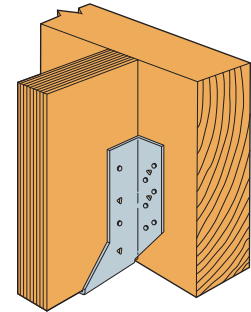
Codes: See p. 13 for Code Reference Key Chart

Web Applications:

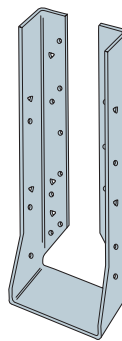
Visit app.strongtie.com/hs to access our Hanger Selector web application.



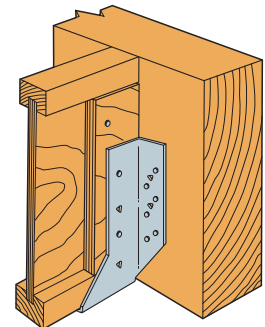
HU410



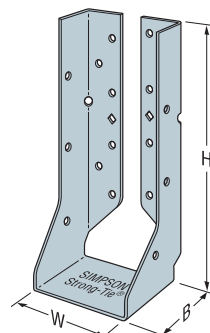
Typical HU7 Installation



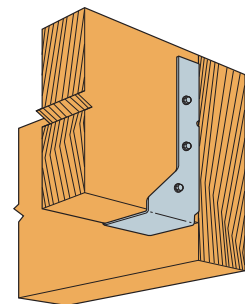
**HUC412
Concealed Flanges**



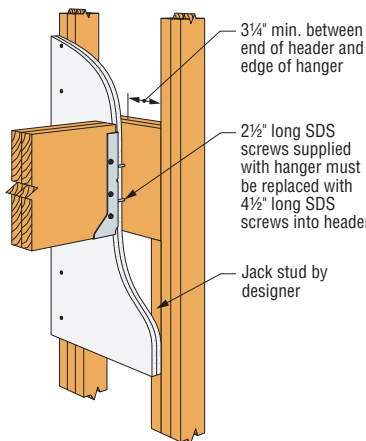
Typical HU7 Installation



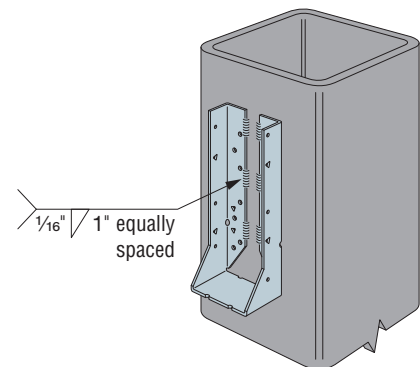
HUCQ



Typical HUCQ Installed on End of a Beam



HUCQ Over Two Layers of 5/8" Drywall



HUC Welded to Steel Column (HUCQ similar)

U/HU/HUC/HUCQ

Face-Mount Hangers (cont.)

U/HU/HUC Series Modifications and Associated Load Reductions

Seat		Flange		Fastener Substitutions	
Seat Sloped Up or Down 45° Max.	Seat Skewed 67½° Max. ³ for W ≤ 6 45° Max. for W ≥ 6	One or Both HU Flanges Concealed ²	Stainless-Steel Nails 0.162" x 3½"		
1.00	W ≤ 3⅝ use 1.00 W > 3⅝ use 0.80	1.00 (normal) 0.80 (when sloped and skewed)	Ring shank 1.00 Smooth shank (normal seat) 1.00 Smooth shank (modified seat ¹) 0.50		

- Modified seat is sloped, skewed, or both. If sloped only or skewed only, use a smooth-shank stainless-steel reduction of 0.65.
- For hanger applications with both flanges concealed, W must be at least 2⅝". To order, ask for HUCXXX.
For skewed HUC, only flange on acute side is concealed.
- Skews over 50° require a square-cut joist.

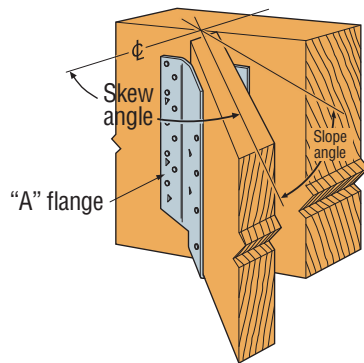
Reduction Factor Instructions

Allowable Download = Seat x Flange x Stainless Steel Nails x Other Fastener Substitutions x Table Load

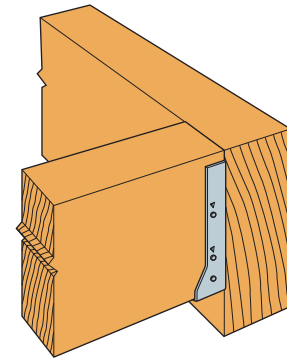
Allowable Uplift = 0.75 x Face Fastener Type x Table Load for skewed or sloped
1.00 x Face Fastener Type x Table Load for non-skewed or non-sloped

Maximum Skew Angle for Skewed HUC Hangers

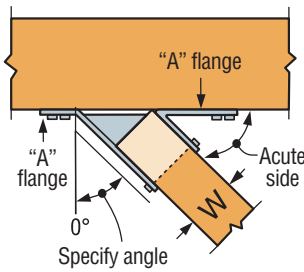
Hanger Width (in.)	Maximum Skew (degree)
2⅝	31
2⅞	31
3	34
3¼	37
3⅝	41
3¾	42
> 3¾	45



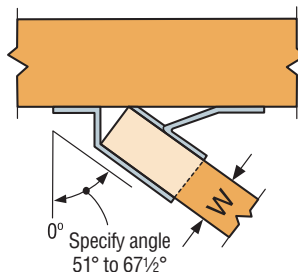
Typical HU Sloped Down, Skewed Right Installation



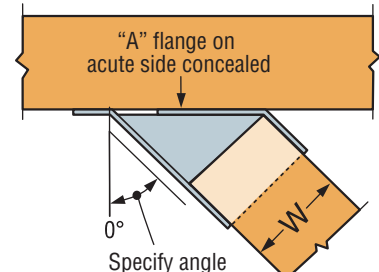
Typical HUC Installed on a Beam



Top View U Hanger Skewed Right < 51° (square cut)



Top View U Hanger Skewed Right ≥ 51° (square cut)



Top View HUC Concealed Hanger Skewed Right (square cut)